

TECHNICAL CHARACTERISTICS

COMPLIANCE WITH STANDARDS

EN 60598-1 - EN60598-2-1

MATERIALS AND FINISHINGS

Casing:	polycarbonate stabilized U.V. rays
Impact resistance:	20 J
Glow wire test:	850°C
Diffuser:	transparent polycarbonate stabilized U.V. rays.
Impact resistance:	20 J
Glow wire test:	850°C
Reflector:	anodized aluminium (versions IA - IB)
Reflector:	polyamide (versions FSD - FSQ)
Seals:	neoprene
External nuts and bolts:	stainless steel

WIRING

Supply unit:	internal
Lampholder:	polycarbonate
Two-pole supply terminal:	polyamide for cables of cross-section 2.5 mm ²
Cables:	rigid, PVC insulated

ACCESSORIES SUPPLIED

Cable gland:	Pg 9 for cables Ø 5÷8 mm
Fixing screws and dowels	
Protective anchors	
Packaging:	corrugated cardboard

BEHAVIOUR WITH CHEMICAL AND CORROSIVE AGENTS*

Water	Sea air	Acids	Bases	Ketones	Spirits	Silicone oil	Oils/Greases	Petrol
Resistant	Resistant	Limited resistance	Limited resistance	Limited resistance	Resistant	Resistant	Limited resistance	Limited resistance

For behaviour with other chemical agents, see the section "General technical information".

BOLLA/GUSCIO RANGE

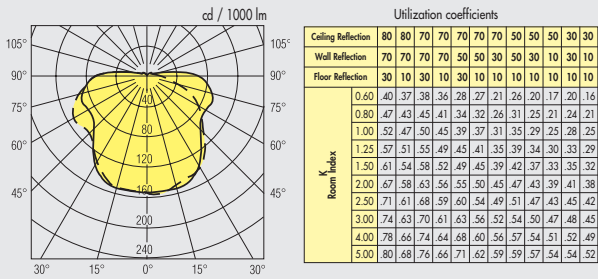
WATERTIGHT COMPACT CEILING-MOUNTING LUMINAIRES



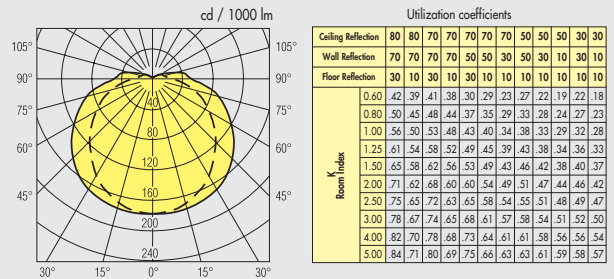
TECHNICAL CHARACTERISTICS

PHOTOMETRIC CURVES

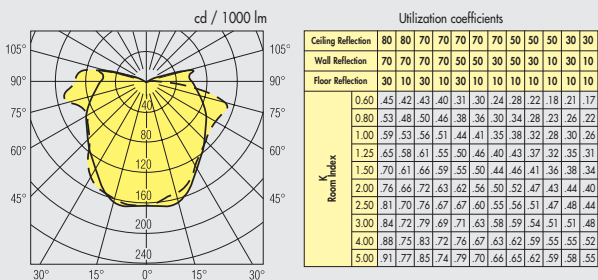
BOLLA 100W IA



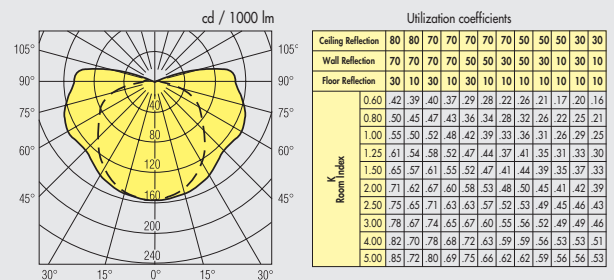
BOLLA 2X9W FSD



GUSCIO 60W IA

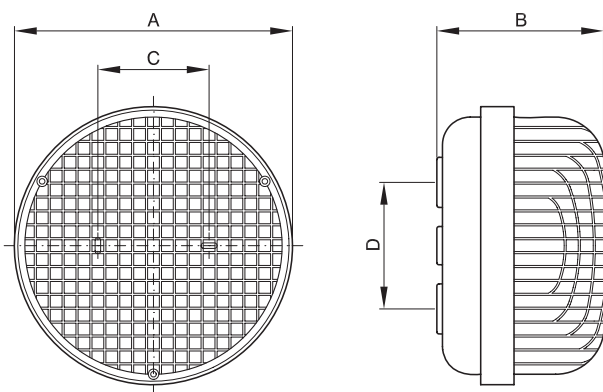


GUSCIO 1X26W FSD



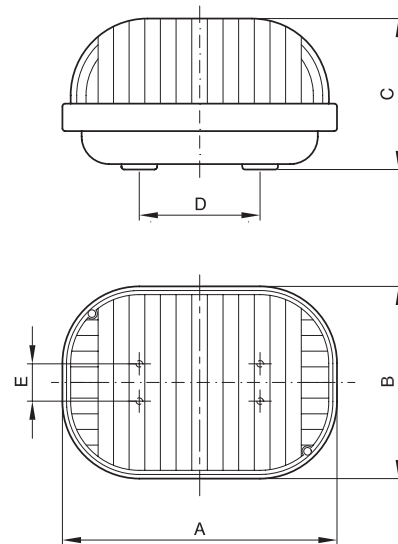
DIMENSION TABLES

BOLLA



LAMP POWER	A	B	C	D	WEIGHT Kg
60W	200	115	84	84	0,470
2 x 7W	200	115	84	84	0,960
100W	260	140	120	120	0,760
2 x 9W	260	140	120	120	1,450

GUSCIO



LAMP POWER	A	B	C	D	E	WEIGHT Kg
60W	250	175	130	110	34	0,520
1 x 9W						
2 x 9W	250	175	130	110	34	0,930
100W	320	225	165	140	42	0,810
1 x 26W	320	225	165	140	42	1,540