

TECHNICAL CHARACTERISTICS

COMPLIANCE WITH STANDARDS

EN 60598-1; EN 60598-2-3

MATERIALS AND FINISHINGS

Globe:	polycarbonate stabilized to U.V. rays with transparent, opal or smoked finish / methacrylate with transparent, opal or smoked finish
Impact resistance:	20 J
Glow wire test:	850°C polyc. / 650°C PMMA
Base:	technopolymer stabilized to U.V. rays
Colour:	graphite grey
Impact resistance:	20 J
Glow wire test:	850°C
Kit composition:	steel/aluminium with corrosion-proof "ALODINE 1200" chromate treatment and smoke grey thermosetting powder coating

WIRING

Supply unit:	internal at the base (version for discharge lamp)
Two-pole supply terminal:	polyamide for cables of cross-section 2.5 mm ²
Cables:	flexible, silicone insulated and glass fibre braid
Lampholder:	ceramic
Fixing screw:	stainless steel
Vandal-proof screw:	Black galvanized steel

ACCESSORIES SUPPLIED

Packaging:	corrugated cardboard
------------	----------------------

BEHAVIOUR WITH CHEMICAL AND CORROSIVE AGENTS*

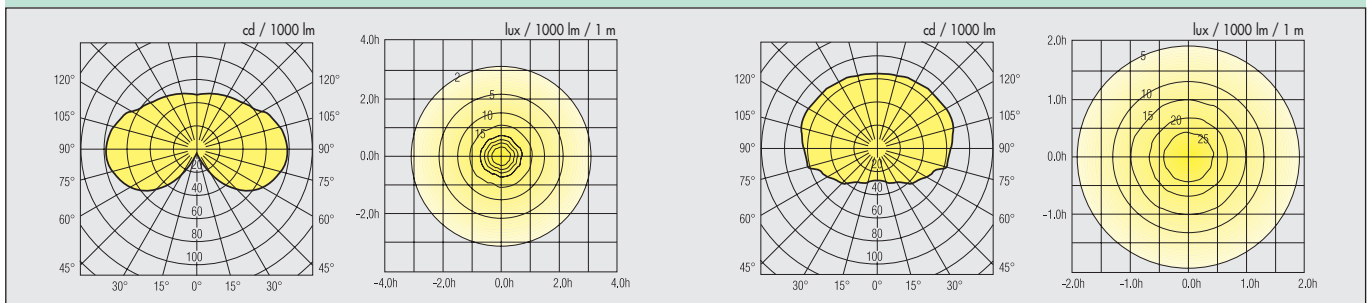
Water	Sea air	Acids	Bases	Ketones	Spirits	Silicone oil	Oils/Greases	Petrol
Resistant	Resistant	Limited resistance	Limited resistance	Limited resistance	Resistant	Resistant	Limited resistance	Limited resistance

* For behaviour with other chemical agents, see the section "General technical information".

PHOTOMETRIC CURVES

GLOB 40 70W SE TRANSPARENT

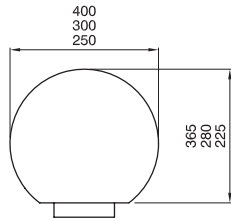
GLOB 40 80W QE OPAL



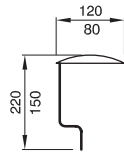
DIMENSION TABLES

GLOB SERIES

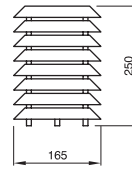
GLOBES



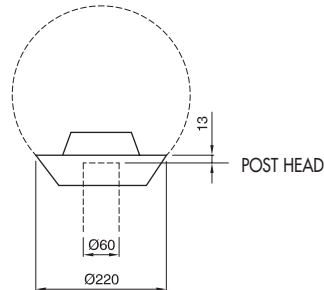
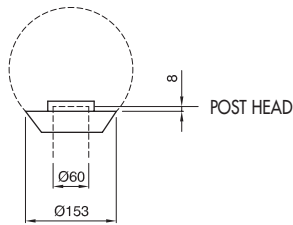
HEAT PROTECTION COVER



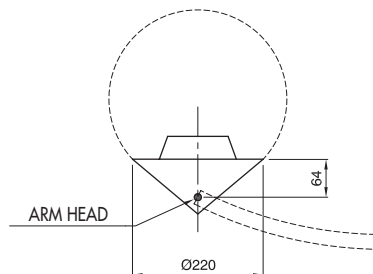
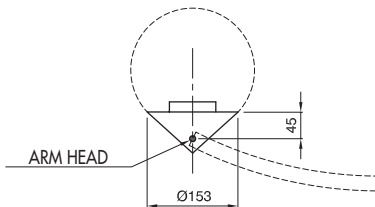
ANTIGLARE LOUVRE FOR GLOB 40



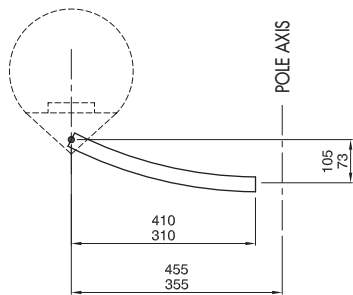
POLE BASE SUPPORTS Ø60



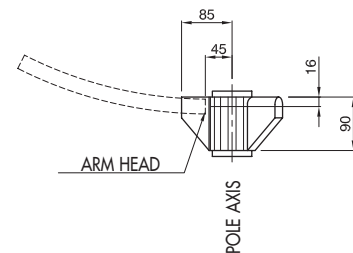
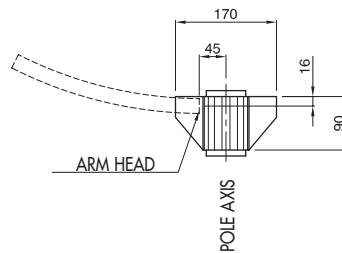
ARM BASE SUPPORTS



ARMS



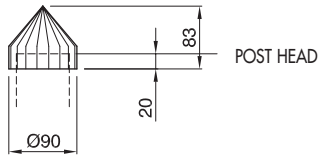
POLE BRACKETS Ø60



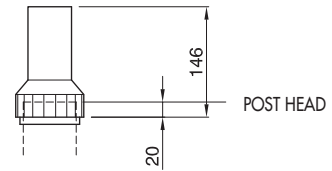
DIMENSION TABLES

GLOB SERIES

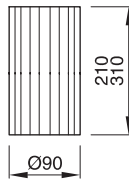
END COVER



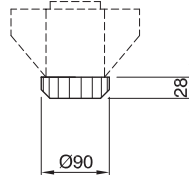
END COVER FOR GLOB



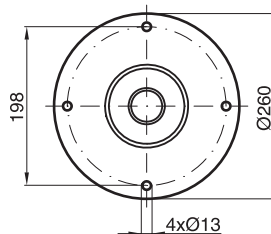
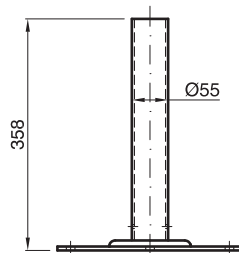
SPACERS



POLE CONNECTOR
Ø60



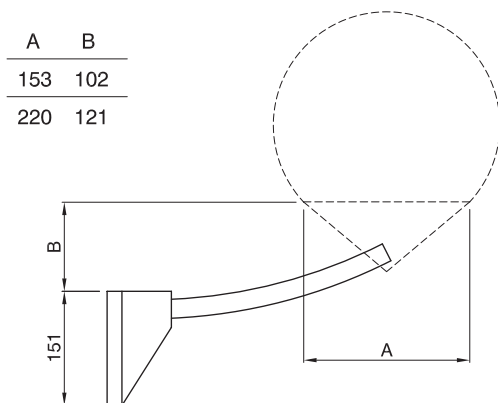
ROUND BASE
FOR POLE Ø60



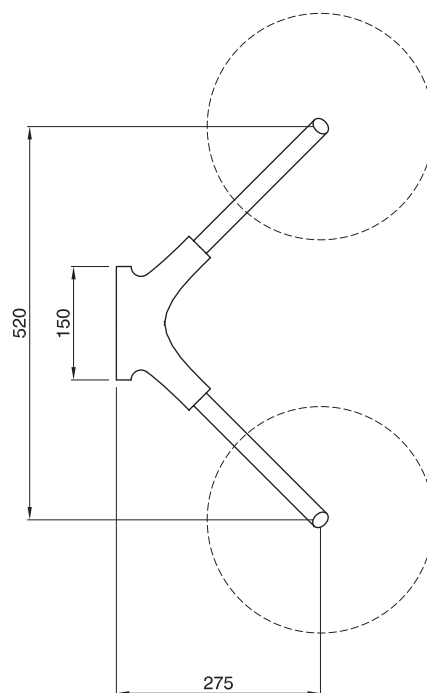
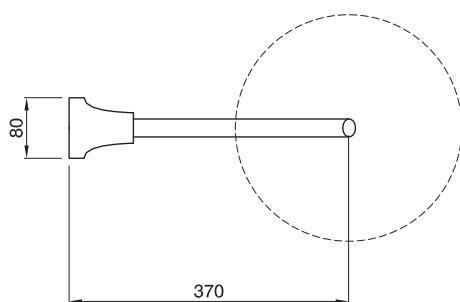
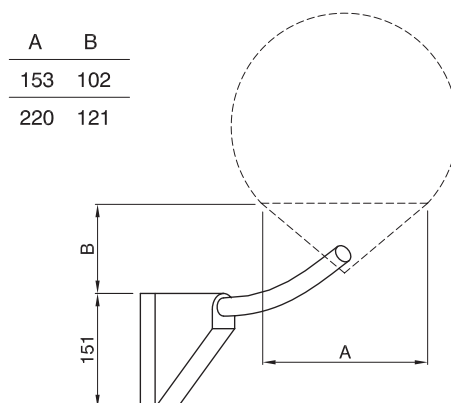
DIMENSION TABLES

GLOB SERIES

SINGLE SURFACE MOUNTING



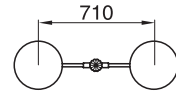
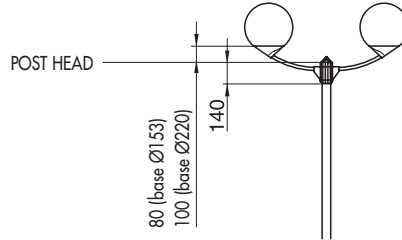
DOUBLE SURFACE MOUNTING



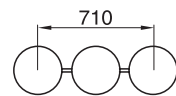
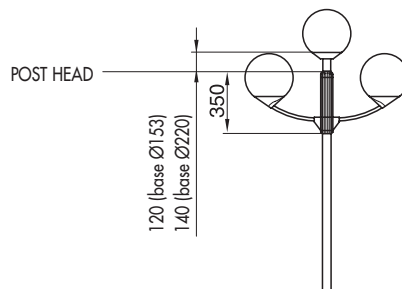
DIMENSION TABLES

GLOB SERIES

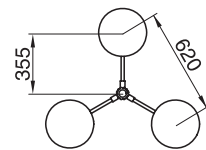
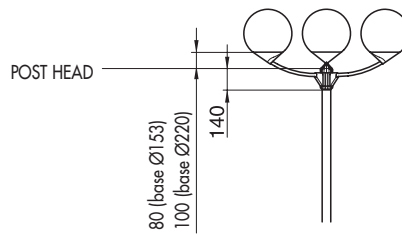
2x  kit 2 - 180°



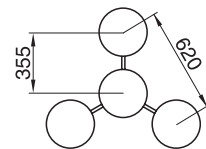
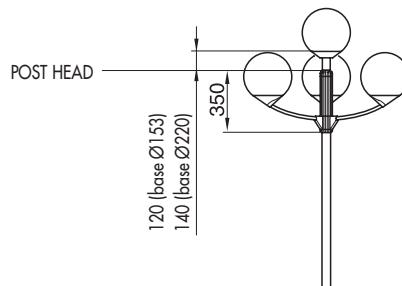
3x  kit 3 - 180°



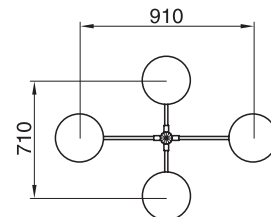
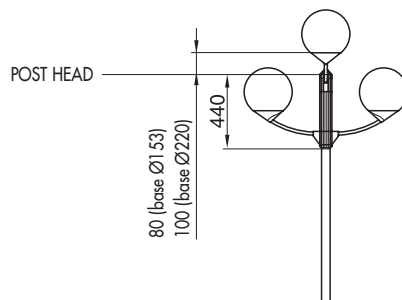
kit 3 - 120°



4x  kit 4 - 120°



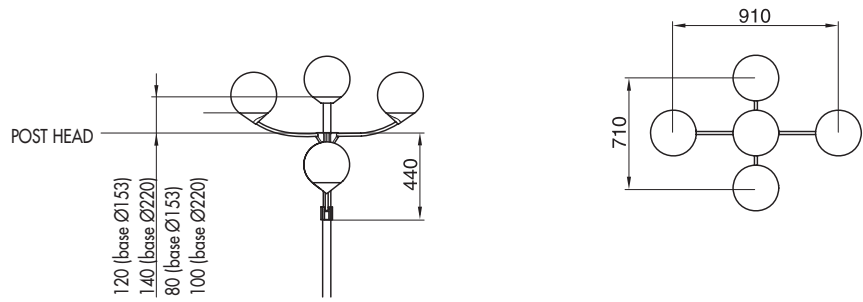
kit 4 - 90°



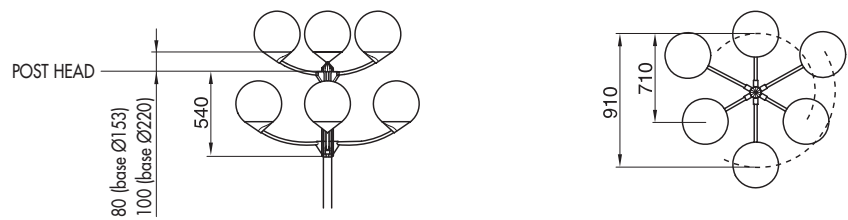
DIMENSION TABLES

GLOB SERIES

5x  kit 5 - 90°



6x  kit 6 - 120°



7x  kit 7 - 120°

