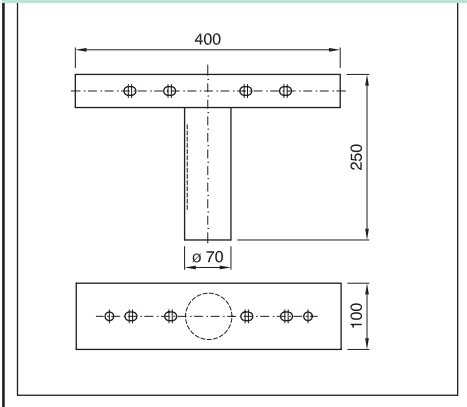


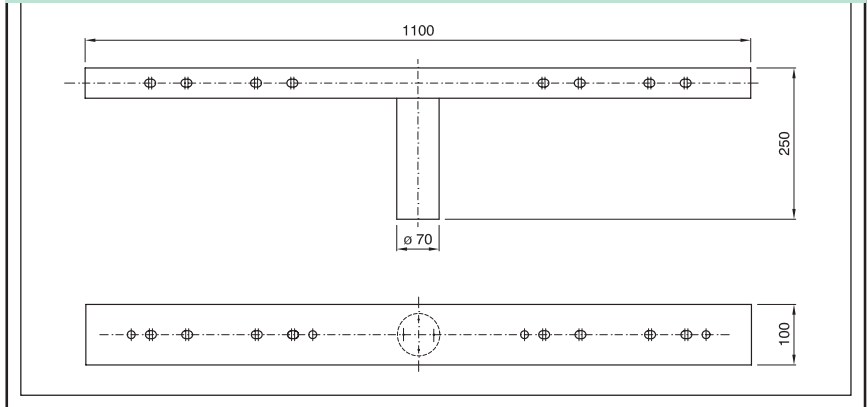
TECHNICAL CHARACTERISTICS

DIMENSION TABLES

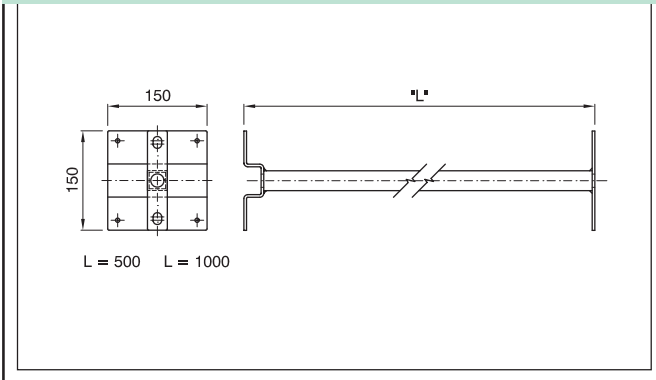
SINGLE POLE HEAD COUPLING



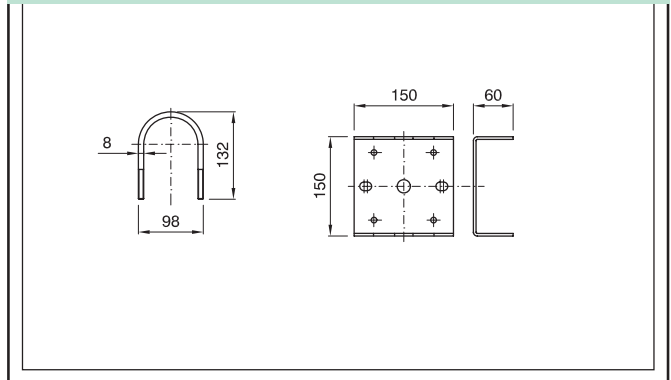
DOUBLE POLE HEAD COUPLING



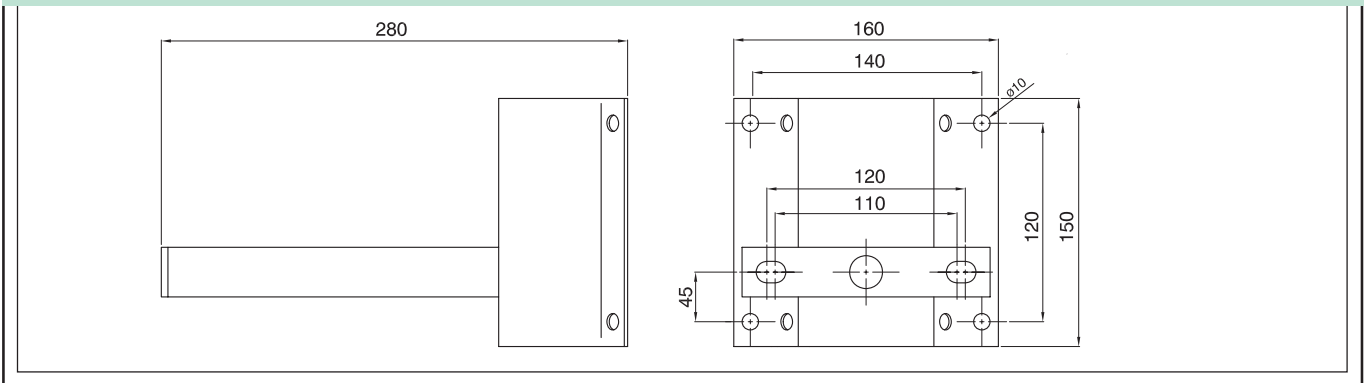
WALL SUPPORT



COLLAR POLE COUPLING



CORNER BRACKET



ADJUSTABLE ARM

