

STADIUM RANGE

SYMMETRICAL FLOODLIGHTS FOR LARGE-SCALE SYSTEMS



TECHNICAL CHARACTERISTICS

COMPLIANCE WITH STANDARDS

EN 60598-1 - EN 60598-2-5

MATERIALS AND FINISHES

Casing:	die-cast aluminium
Corrosion-proof treatment:	"ALODINE 1200" chromate treatment
Painting:	Polyester graphite grey
Dish:	aluminium 99.85 polished and anodized
Shield:	tempered glass Impact resistance: 7 J
Seal:	silicone
External nuts and bolts:	stainless steel
Anti-condensate device:	microporous membrane filter

WIRING

Supply unit:	external in box
Box:	die-cast aluminium
Corrosion-proof treatment:	"ALODINE 1200" chromate treatment
Painting:	Polyester graphite grey
Cables:	flexible, silicone insulated and glass fibre braid
Cos φ	≥ 0.9
Lampholder:	ceramic
Three-pole supply terminal:	polyamide for cables of cross-section 4 mm ²

ACCESSORIES SUPPLIED

Bracket:	galvanized and painted steel
Cable gland:	Pg 13.5 for cables Ø 6.5÷11.5 mm
Packaging:	corrugated cardboard

FIELD OF USE

Luminaires with diffused symmetrical optics: sports facilities (Em up to 400 lux), railroad yards, large airports	Luminaires with restricted beam symmetrical optics: large stadiums needing televising filming, race courses, major slip roads
---	---

BEHAVIOUR WITH CHEMICAL AND CORROSIVE AGENTS*

Water	Sea air	Acids	Bases	Ketones	Spirits	Silicone oil	Oils/Greases	Petrol
Resistant	Limited resistance	Limited resistance	Limited resistance	Resistant	Resistant	Resistant	Resistant	Resistant

*Values referring to aluminium coated with polyester paint. For behaviour with other chemical agents, see the section "General technical information".

STADIUM RANGE

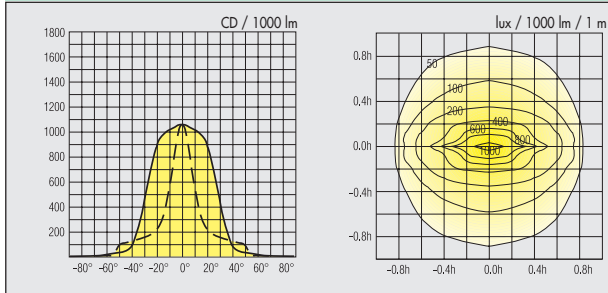
SYMMETRICAL FLOODLIGHTS FOR LARGE-SCALE SYSTEMS



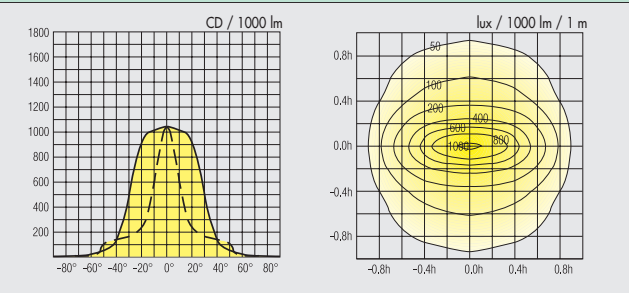
TECHNICAL CHARACTERISTICS

PHOTOMETRIC CURVES

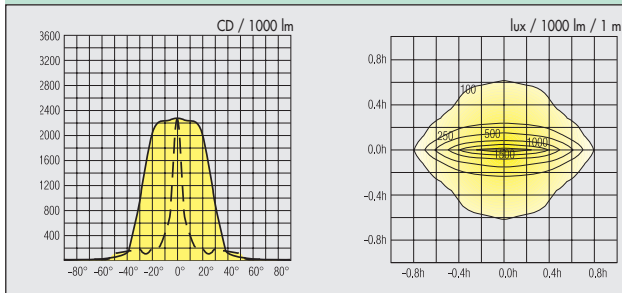
1000W ST - DIFFUSED SYMMETRICAL OPTICS



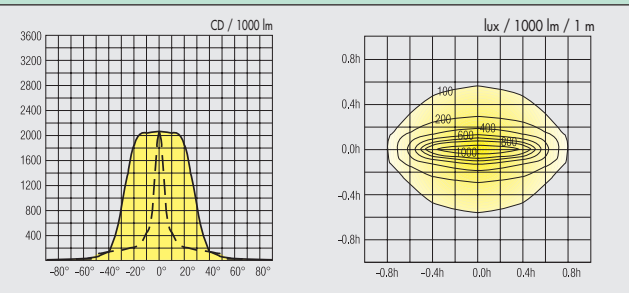
2000W MT - DIFFUSED SYMMETRICAL OPTICS



1000W ST - RESTRICTED BEAM SYMMETRICAL OPTICS



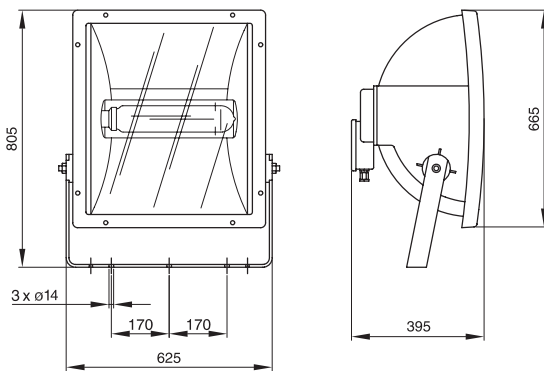
2000W MT - RESTRICTED BEAM SYMMETRICAL OPTICS



DIMENSION TABLES

STADIUM

Surface exposed to the wind: 0.376 m²



COMPLEMENTARY ITEMS

SUPPLY UNIT

