

## TECHNICAL CHARACTERISTICS

### COMPLIANCE WITH STANDARDS

EN 60598-1 - EN 60598-2-5 - EN 60598-2-4

### MATERIALS AND FINISHINGS

Casing:	die-cast aluminium
Supply box:	polyamide Glow Wire Test: 650°C
Painting:	polyester graphite grey or white
Dish:	aluminium 99.85 polished and anodized
Shield:	tempered glass - impact resistance: 7 J
Seals:	silicone
External screws and nuts:	stainless steel

### WIRING

Lampholder:	ceramic
Three pole supply terminal:	polyamide for cables of cross section 2.5 mm <sup>2</sup>
Cables:	flexible, silicone insulated
Supply cable for portable versions:	cross-section 3x1.5 mm <sup>2</sup> type H07RN-F with plug IEC 309 16A 2P + $\frac{1}{\text{PE}}$ 200-250V - IP 67

### ACCESSORIES SUPPLIED

Bracket:	galvanized and painted steel
Yellow tubular stand:	painted steel
Yellow adjustable telescopic stand:	painted steel
Cable gland:	Pg 13.5 for cables Ø 9÷12.5 mm
Packaging:	corrugated cardboard

### BEHAVIOUR WITH CHEMICAL AND CORROSIVE AGENTS\*

Water	Sea air	Acids	Bases	Ketones	Spirits	Silicone oil	Oils/Greases	Petrol
Resistant	Limited resistance	Limited resistance	Limited resistance	Resistant	Resistant	Resistant	Resistant	Resistant

\*Values referring to aluminium coated with polyester paint. For behaviour with other chemical agents, see the section "General technical information".

# GENIUS RANGE

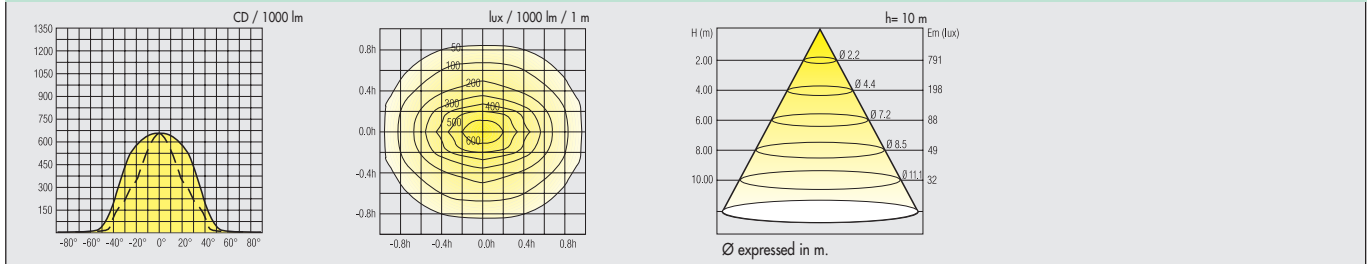
MULTIFUNCTION FLOODLIGHTS FOR FIXED OR MOVABLE USE



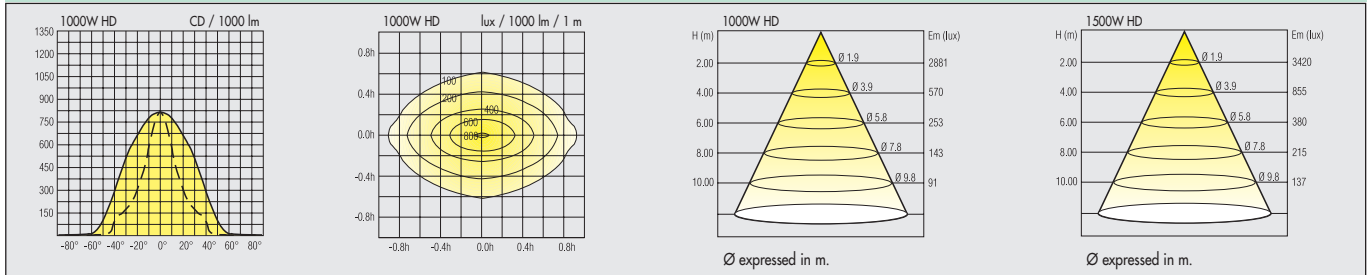
## TECHNICAL CHARACTERISTICS

### PHOTOMETRIC CURVES

#### GENIUS 500W HD

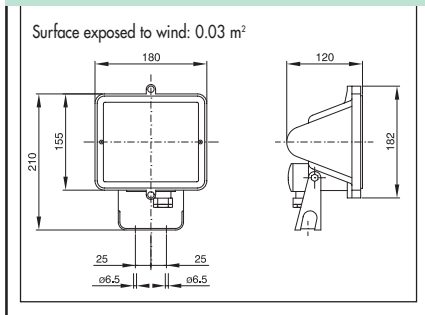


#### GENIUS 1000/1500W HD

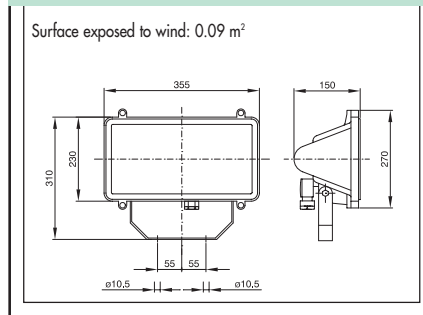


### DIMENSION TABLES

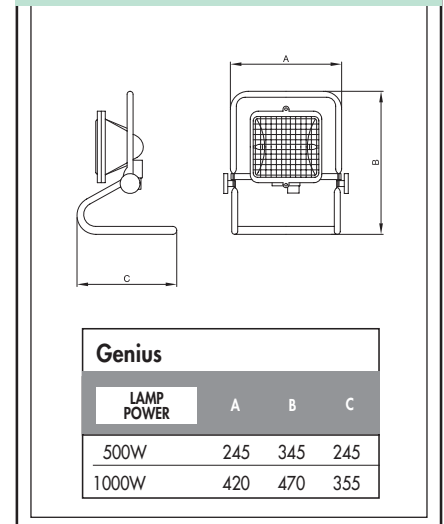
#### GENIUS 500W



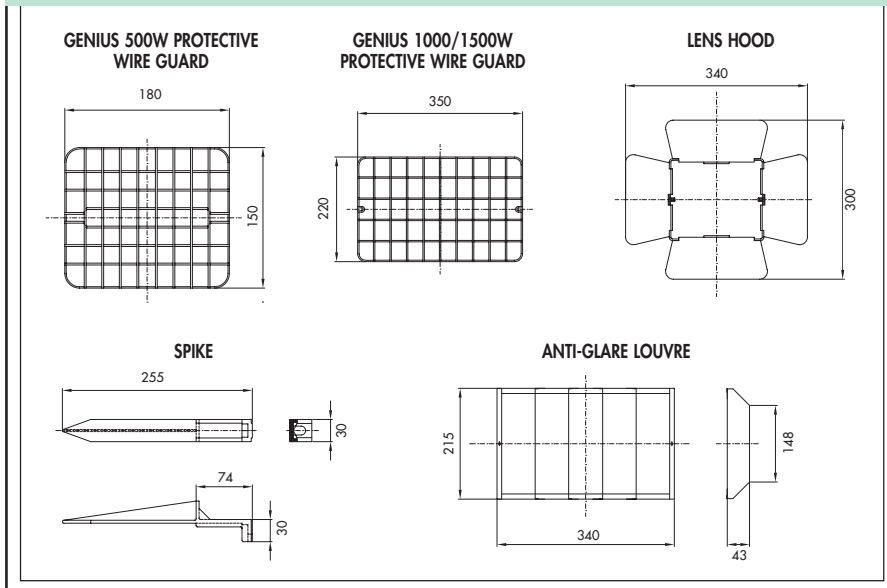
#### GENIUS 1000/1500W



#### GENIUS PORTABLE 500/1000W



#### COMPLEMENTARY ITEMS



#### GENIUS TELESCOPIC

