

NP 54/55 RANGE

SILL-TYPE AND DEVICE-MOUNTING TRUNKING SYSTEMS



TECHNICAL CHARACTERISTICS

BR-ALU ALUMINIUM TRUNKING AND DEVICE-HOLDERS WITH INTEGRATED COVER

IP 40 - class

Compliance with standards: CEI 23-31

Material: aluminium

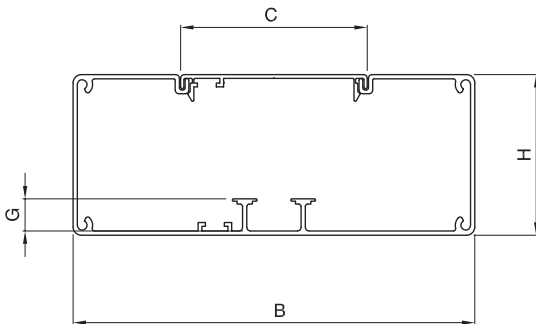
Characteristics: with cover that can be removed only with a tool;

Impact resistance: 20 J

Application: for the distribution of electric power and signals (telephone, LAN networks) in the commercial sector. Where there is a requirement for material with low halogen gas emissions in the event of fire.

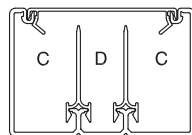
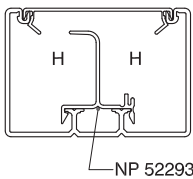
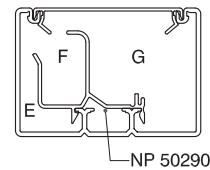
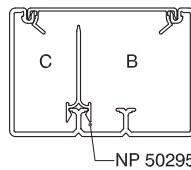
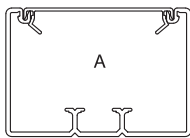
Installation type Surface-mounting

BR-ALU TRUNKING AND DEVICE HOLDERS IN ALUMINIUM (TYPE NP 50 004 + NP 50 054)



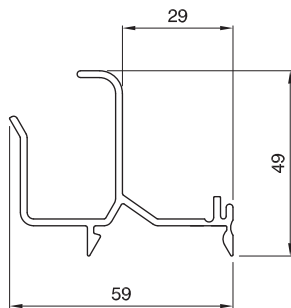
BR-ALU	CROSS-SECTION mm ²	B	H	C	G
100x70-80	5700	98	68	80	15
130x70-80	7500	130	68	80	15
170x70-80	9900	170	68	80	15
170x90-80	13200	170	90	80	35

EXAMPLES OF DIVISION OF BR-ALU ALUMINIUM TRUNKING

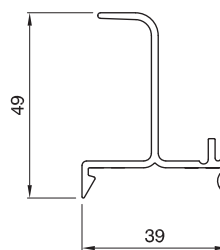


BR-ALU	CROSS-SECTION mm ²							
	A	B	C	D	E	F	G	H
100x70-80	5700	3120	1740	1100	650	800	2550	2180
130x70-80	7500	3980	2600	1100	1250	800	3380	2950
170x70-80	9900	5080	3700	1100	2050	800	4450	4020
170x90-80	13200	7000	5150	1600	3650	800	6100	5150

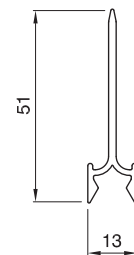
DIVIDERS FOR TRUNKING AND DEVICE HOLDERS



NP 50290



NP 52293



NP 50295

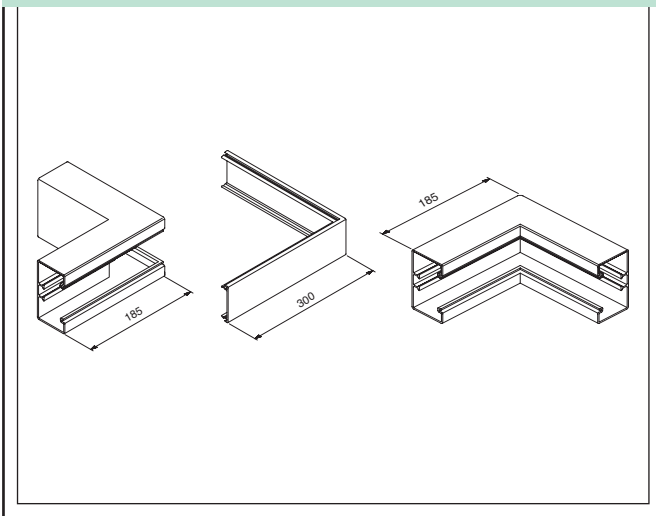
NP 54/55 RANGE

SILL-TYPE AND DEVICE-MOUNTING TRUNKING SYSTEMS

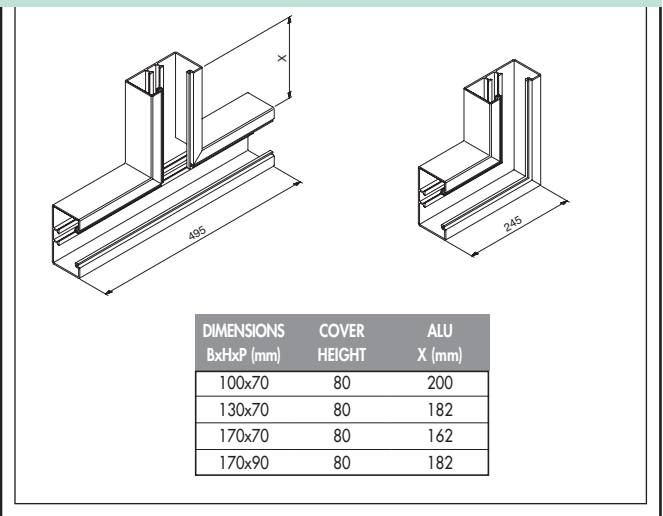


TECHNICAL CHARACTERISTICS

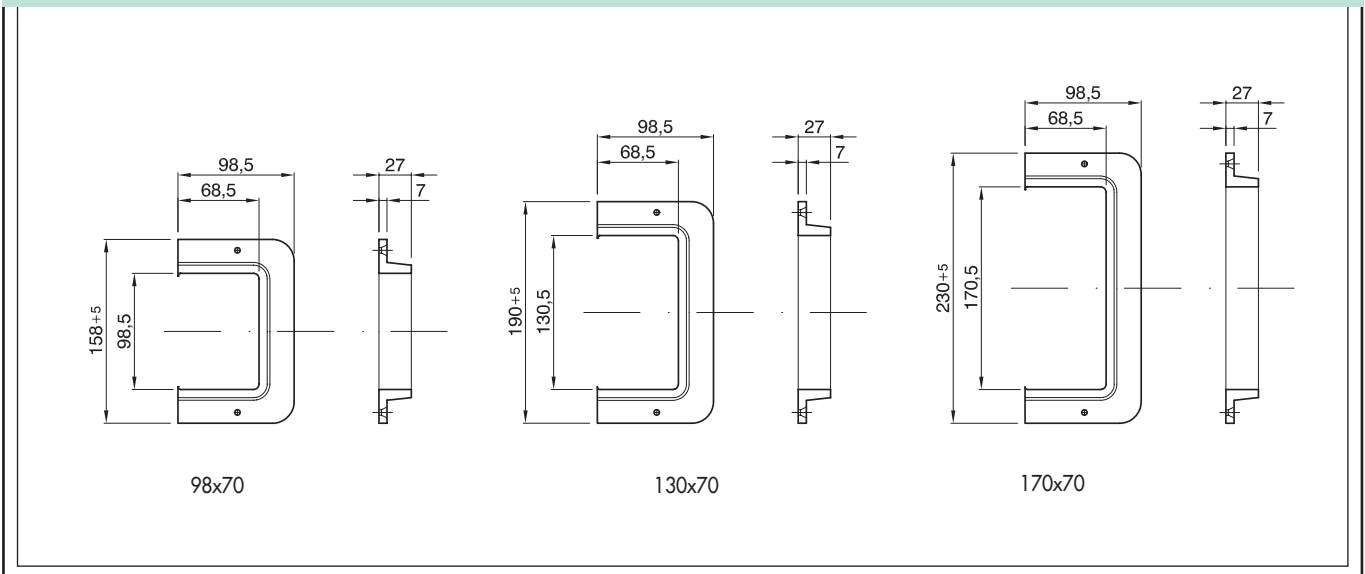
BR ALU RANGE EXTERNAL AND INTERNAL CORNERS



BR ALU RANGE T-JUNCTIONS AND FLAT ANGLES



BR ALU RANGE - WALL CONNECTION FRAMES FOR TRUNKINGS WITH SPECIFIC DIMENSIONS



NP 54/55 RANGE

SILL-TYPE AND DEVICE-MOUNTING TRUNKING SYSTEMS



TECHNICAL CHARACTERISTICS

BR-ALU COLUMNS AND MINICOLUMNS

IP 40 - class

Compliance with standards: CEI 23-73

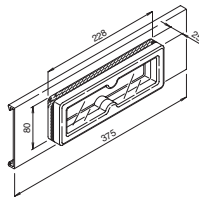
Material: aluminium

Characteristics: with cover that can be removed only with a tool;
Impact resistance 20 J

Application: enable the creation of signal and/or power take-off points in residential and commercial sector systems (example: offices, open space offices, schools, etc.).

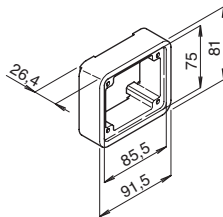
Installation type Flooring, flooring/ceiling.

IP 40 12-MODULE ENCLOSURE WITH TRANSPARENT DOOR FOR CABLE AND DEVICE-HOLDER TRUNKING



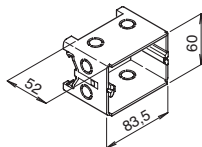
CODE	COVER HEIGHT	RANGE	COLOUR
NP 54 301	110	BR-ALU	Anodized aluminium

ADAPTOR FOR 10° FIXED, FLUSH-MOUNTING INDUSTRIAL SOCKETS

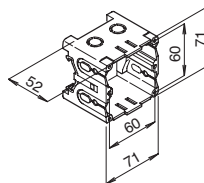


CODE	PLATE	COLOUR
NP 50 692	85x75	RAL 9010 white
NP 50 299	85x75	RAL 7035 grey

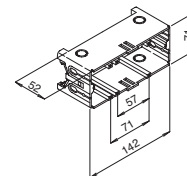
DEVICE-HOLDER BOXES



NP 50 302



NP 50 305



NP 50 307

CODE	NO. GANGS	COLOUR
NP 50 302	3	Red
NP 50 305	2	Red
NP 50 307	4	Green