

NP 42 RANGE

TRUNKING SYSTEMS USED AS SKIRTING AND FRAME



TECHNICAL CHARACTERISTICS

EK 50 x 30 - CABLE-HOLDER TRUNKING USED AS CORNER FRAME

IP 40

Compliance with Standards: CEI 23-32

Material: PVC

Characteristics: cover can only be removed by using special tool

Installation temperature: from -5 to +60 °C

Insulation resistance: 100 MΩ

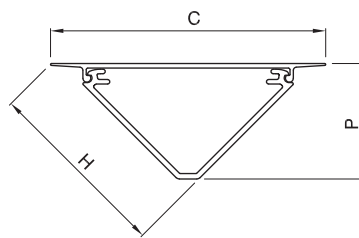
Self-extinguishing: in less than 30 seconds

Impact resistance: 6 J

Application field: particularly suitable for system extension and renovation in residential and commercial buildings (e.g.: offices, schools, hotels)

Installation type: on walls and ceilings near corners

EK 50x30 CABLE-HOLDER TRUNKING USED AS A CORNER (TYPE NP 42 502)



EK	SECT. mm ²	C	H	P
50x30	260	55	35	19

SLK 70 x 20 SKIRTING TRUNKING

IP 40

Compliance with Standards: CEI 23-19

Material: PVC

Characteristics: cover can only be removed by using special tool

Installation temperature: from -5 to +60 °C

Insulation resistance: 100 MΩ

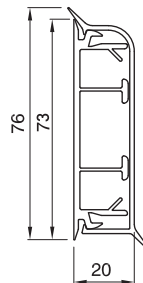
Self-extinguishing: in less than 30 seconds

Impact resistance: 6 J

Application field: particularly suitable for system extension and renovation in residential and commercial buildings (e.g.: offices, schools, hotels)

Installation type: surface-mounting

SLK 70x20 USED AS SKIRTING TRUNKING (TYPE NP 42 003 + NP 42 018)



SLK	SECT. mm ²
70x20	360+ (2x170)

NP 42 RANGE

TRUNKING SYSTEMS USED AS SKIRTING AND FRAME



TECHNICAL CHARACTERISTICS

TUK 70 x 20 USED AS FRAME TRUNKING

IP 40

Compliance with Standards: CEI 23-19

Material: PVC

Characteristics: cover can only be removed by using special tool

Installation temperature: from -5 to +60 °C

Insulation resistance: 100 MΩ

Self-extinguishing: in less than 30 seconds

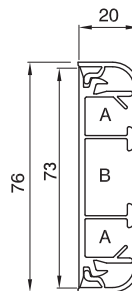
Impact resistance: 6 J

Application field: particularly suitable for system extension and renovation in residential and commercial buildings (e.g.: offices, schools, hotels)

(e.g.: offices, schools, hotels)

Installation type: surface-mounting

TUK 70X20 USED AS FRAME TRUNKING (TYPE NP 42 003 + NP 42 402)



TUK	SECT. mm ²
A	170
B	360

SLK 120 x 25 USED AS DOOR FRAME AND SKIRTING TRUNKING

IP 40

Compliance with Standards: CEI 23-19

Material: PVC

Characteristics: cover can only be removed by using special tool

Installation temperature: from -5 to +60 °C

Insulation resistance: 100 MΩ

Self-extinguishing: in less than 30 seconds

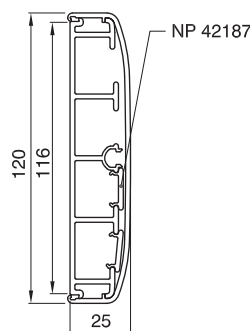
Impact resistance: 1J

Application field: particularly suitable for system extension and renovation in residential and commercial buildings (e.g.: offices, schools, hotels)

(e.g.: offices, schools, hotels)

Installation type: surface-mounting

SLK 120X25 USED AS SKIRTING AND FRAMING TRUNKING (TYPE NP 42 004 + NP 42 024)



SLK	SECT. mm ²
120x25	4x360

NP 42 RANGE

TRUNKING SYSTEMS USED AS SKIRTING AND FRAME



TECHNICAL CHARACTERISTICS

ABK 85 x 20 CABLE-HOLDER TRUNKING USE AS OVER FLOOR

IP 40

Compliance with Standards: CEI 23-32

Material: PVC

Characteristics: cover can only be removed by using special tool

Installation temperature: from -5 to +60 °C

Insulation resistance: 100 MΩ

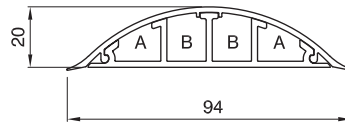
Self-extinguishing: in less than 30 seconds

Impact resistance: 6J

Application field: particularly suitable for system extension and renovation in residential and commercial buildings (e.g.: offices, schools, hotels)

Installation type: on floors

ABK 85X20 CABLE-HOLDER TRUNKING USED AS OVER FLOOR (TYPE NP 42 554)



ABK	SECT. mm ²
A	2x147
B	2x183

NP 42 RANGE

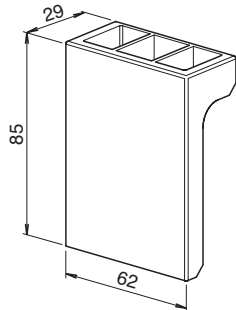
TRUNKING SYSTEMS USED AS SKIRTING AND FRAME



TECHNICAL CHARACTERISTICS

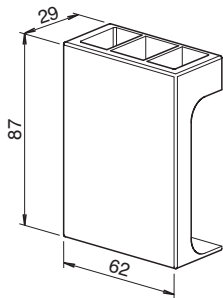
DIMENSIONAL TABLES

ADAPTER FOR CONNECTING DEVICE-HOLDER BOXES TO TRUNKINGS USED AS SKIRTING BOARDS SLK 70X20



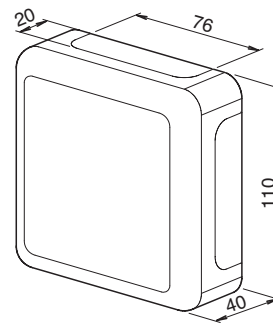
CODE	COLOUR
NP 42 462	RAL 9010 white
NP 42 464	RAL 7021 charcoal

ADAPTER FOR CONNECTING TUK 70X20 TRUNKING FRAMES WITH DEVICE-HOLDER BOXES



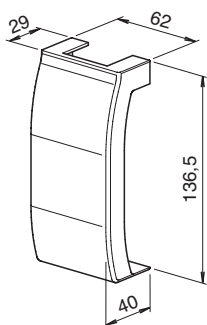
CODE	COLOUR
NP 42 450	RAL 9010 white
NP 42 452	RAL 7021 charcoal
NP 42 454	RAL 8014 brown

JUNCTION BOXES FOR TUK 70X20 FRAME TRUNKING



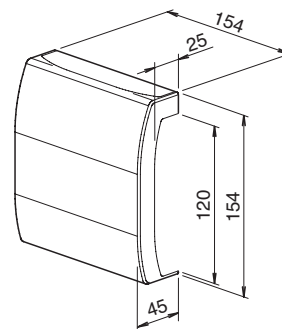
CODE	COLOUR
NP 42 444	RAL 9010 white
NP 42 446	RAL 7021 charcoal
NP 42 448	RAL 8014 brown

SLK 120X25 CONNECTOR FOR JOINING SKIRTING AND DOOR FRAME TRUNKING WITH DEVICE-HOLDER BOXES



CODE	COLOUR
NP 42 456	RAL 9010 white
NP 42 458	RAL 7021 charcoal

JUNCTION BOX FOR SLK 120X25 SKIRTING/DOOR FRAME TRUNKING



CODE	COLOUR
NP 42 282	RAL 9010 white
NP 42 284	RAL 7021 charcoal

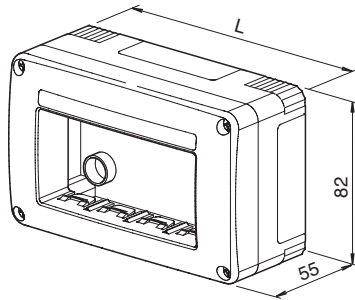
NP 42 RANGE

TRUNKING SYSTEMS USED AS SKIRTING AND FRAME

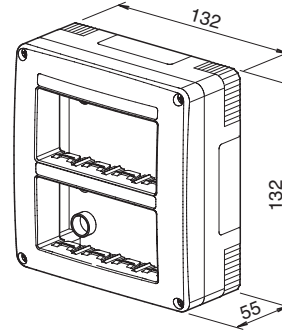


TECHNICAL CHARACTERISTICS

SELF-SUPPORTING DEVICE-HOLDER BOXES FOR GEWISS SYSTEM RANGE

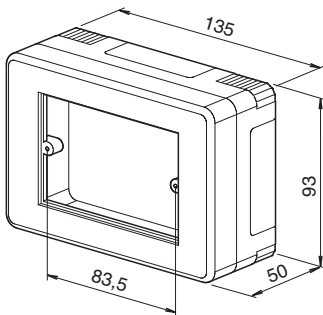


CODE	NO. OF GANGS	L	COLOUR
GW 27 615	3	99	RAL 9010 white
GW 27 616	3	99	RAL 7021 charcoal
GW 27 621	4	132	RAL 9010 white
GW 27 622	4	132	RAL 7021 charcoal

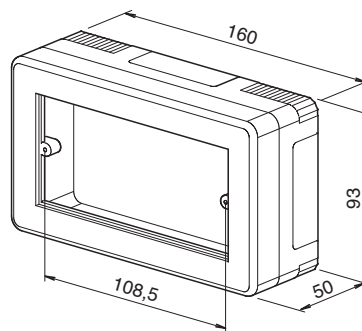


CODE	NO. OF GANGS	COLOUR
GW 27 627	8	RAL 9010 white
GW 27 628	8	RAL 7021 charcoal

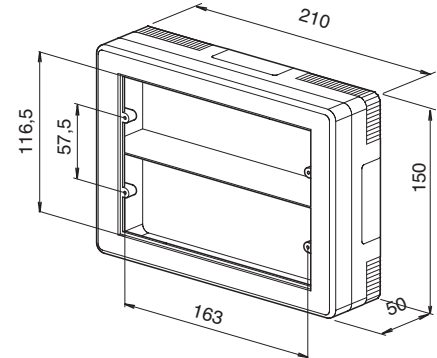
UNIVERSAL DEVICE-HOLDER BOXES FOR ITALIAN STANDARD SUPPORTS/PLATES



CODE	NO. OF GANGS	COLOUR
NP 40 432	3	RAL 9010 white
NP 40 434	3	RAL 7021 charcoal



CODE	NO. OF GANGS	COLOUR
NP 40 438	4	RAL 9010 white
NP 40 440	4	RAL 7021 charcoal



CODE	NO. OF GANGS	COLOUR
NP 40 444	12 (6+6)	RAL 9010 white
NP 40 446	12 (6+6)	RAL 7021 charcoal