

CABLE DUCTS

Name: FU 15	Compression strength: 450 N
Colour: orange	Impact resistance: 5 Kg at -5°C
Material: polyethylene	Application field: electrical installations and/or data transmission
Length supplied: 50-25 m rolls depending on diameter	Installation type: underground
Standards: EN 50086-1 (CEI 23-39) e EN 50086-2-4+V1 (CEI 23-46)	

THERMOPLASTIC WELLS

Name: PZ	Application field: especially suitable for horizontal systems and earth connections in electrical and buried telecommunications systems.
Colour: grey	Installation type: underground
Material: thermoplastic	

LOAD RESISTANCE

VERSION	SIZE	BREAKING LOAD* (kg/cm ²)
Square	200x200x200	7.4
Square	300x300x300	4.8
Square	400x400x400	2
Square	550x550x480	2.7
Rectangular	360x260x320	7.7

* The load breaking values refer to closed heavy-duty covers.

It is advisable to firmly anchor the wells to the ground. Prepare a concrete bed of at least 10 cm and cover the rest in earth and cement taking care to avoid height differences between the well cover and the ground surface.

FU AND PZ RANGE

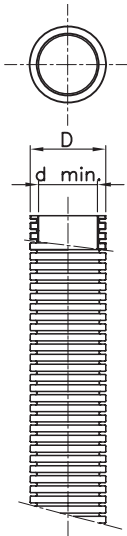
CABLE DUCT AND WELL SYSTEMS



TECHNICAL CHARACTERISTICS

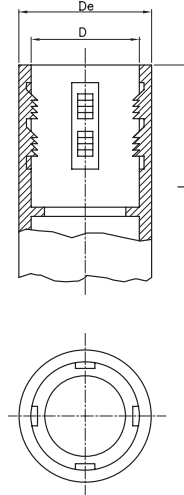
DIMENSIONAL TABLES

FU15



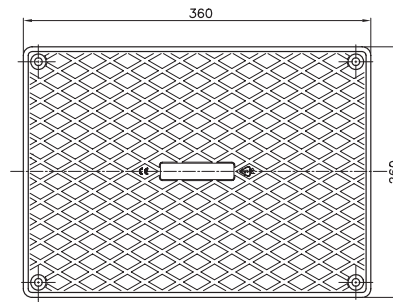
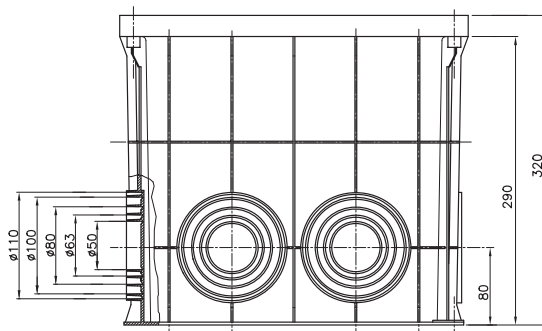
CODE	CABLE DUCTS Ø (mm)	D	d. min.
DX 35 000	40	40 $\frac{+0.8}{0}$	30
DX 35 001	50	50 $\frac{+1}{0}$	38
DX 35 002	63	63 $\frac{+1.2}{0}$	46
DX 35 003	75	75 $\frac{+1.4}{0}$	57
DX 35 004	90	90 $\frac{+1.7}{0}$	68
DX 35 005	110	110 $\frac{+2}{0}$	86
DX 35 006	125	125 $\frac{+2.3}{0}$	98
DX 35 007	140	140 $\frac{+2.6}{0}$	112
DX 35 008	160	160 $\frac{+2.9}{0}$	126
DX 35 009	200	200 $\frac{+3.6}{0}$	150

FUM

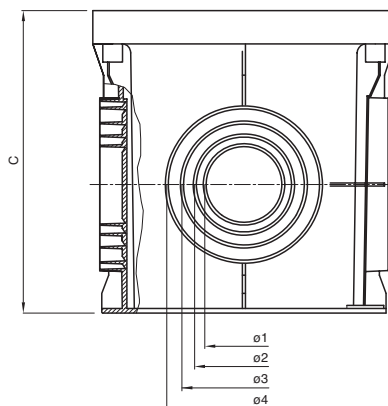
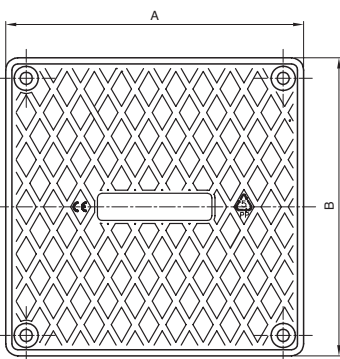


CODE	FOR CABLE DUCTS Ø (mm)	D	De	L
DX 58 200	40	40.5	43	85
DX 58 201	50	50.5	53	100
DX 58 202	63	63.5	66	110
DX 58 203	75	75.5	78	140
DX 58 204	90	90.5	93	150
DX 58 205	110	110.5	113	185
DX 58 206	125	125.5	128	225
DX 58 207	140	140.5	143	245
DX 58 208	160	160.5	163	280
DX 58 209	200	200.5	203	320

RECTANGULAR WELLS - DX 59501 - DX 59502



SQUARE WELLS



Ø											
A	B	C	1	2	3	4	5	6	7	8	
200	200	200	63	80	100	125					
300	300	300	63	80	100	125	140				
400	400	400	63	80	100	125	140	160		250	
550	550	480						160	200	250	315