

INSULATING SHEATHS

DIFLEX SPIRALLED SHEATHS

Name: DIFLEX	Permanent application and installation temperature: +5°C/+60°C
Colour: Grey RAL 7035 - Black RAL 9005 - Blue	Insulation resistance: > 100 MΩ at 500 V per 1 minute
Material: PVC	Dielectric rigidity: > 2000 V at 50 Hz for 15 minutes
Rigid for the internal spiral - Plastic for the cap	Resistance to flame propagation: self-extinguishing in less than 30 seconds
Length supplied: 30 metre rolls	Application field: for the protection of conductors in fixed or mobile installations in residential applications and on board operating machinery in industrial applications thanks to its flexibility and resistance to mineral oils.
Standards: EN 50086-1 (CEI 23-39), EN 50086-2-3 (CEI 23-56) and IEC EN 61386-1; IEC EN 61386-23	Installation type: mainly exposed on walls and ceilings.
Classification: 2311	Suitable for applications inside false ceilings and floating floors.
Compression strength: 320 N	
Impact resistance: 2 kg of 100 mm (2 J)	

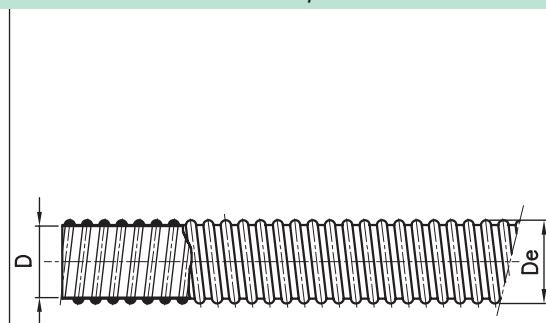
SHEATH FOR NON-HEAVY DUTY USES

LIGHT SPIRALLED SHEATH

Name: LIGHT	Permanent application and installation temperature: +5°C/+60°C
Colour: RAL 7035 grey	Insulation resistance: > 100 MΩ at 500 V for 1 minute
Material: Rigid PVC for the internal spiral - Plastic for the cap	Dielectric rigidity: > 2000 V at 50 Hz per 15 minutes
Length supplied: 30 metre rolls	Resistance to flame propagation: self-extinguishing in less than 30 seconds
Standard: EN 50086-1 (CEI 23-39), EN 50086-2-3 (CEI 23-56) and IEC EN 61386-1; IEC EN 61386-23 (when applicable)	Application field: for non-heavy duty uses in industrial applications
Classification: 1311	Installation type: exposed
Compression strength: 125 N	
Impact resistance: 2 kg of 100 mm (2 J)	

DIMENSIONAL TABLES

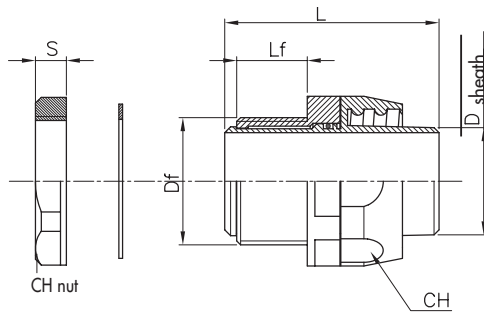
DIFLEX - SPIRALLED SHEATH WITH/WITHOUT CABLE PULLER



SHEATH Ø (mm)	DIFLEX RANGE				LIGHT RANGE WITHOUT CABLE PULLER RAL 7035 GREY	D	De
	WITHOUT CABLE PULLER RAL 7035 GREY	WITH CABLE PULLER	WITHOUT CABLE PULLER RAL 7035 BLACK	WITHOUT CABLE PULLER LIGHT BLUE			
8	DX 30 008	-	DX 30 108	DX 30 208	-	8	12.1
10	DX 30 010	-	DX 30 110	DX 30 210	-	10	14.6
12	DX 30 012	DX 30 312	DX 30 112	DX 30 212	DX 30 812	12	16.4
14	DX 30 014	-	DX 30 114	DX 30 214	-	14	18.7
16	DX 30 016	DX 30 316	DX 30 116	DX 30 216	DX 30 816	16	20.7
20	DX 30 020	DX 30 320	DX 30 120	DX 30 220	DX 30 820	20	25
22	DX 30 022	-	DX 30 122	DX 30 222	-	22	27
25	DX 30 025	DX 30 325	DX 30 125	DX 30 225	DX 30 825	25	30.6
28	DX 30 028	-	DX 30 128	DX 30 228	-	28	33.5
32	DX 30 032	-	DX 30 132	DX 30 232	-	32	38
35	DX 30 035	-	DX 30 135	DX 30 235	-	35	41
40	DX 30 040	-	DX 30 140	DX 30 240	-	40	46.4
50	DX 30 050	-	DX 30 150	DX 30 250	-	50	57.2
60	DX 30 060	-	DX 30 160	DX 30 260	-	60	68

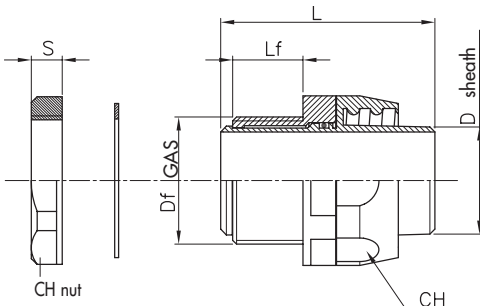
TECHNICAL CHARACTERISTICS

RDM - METRIC ROTATING PIPE-FITTING



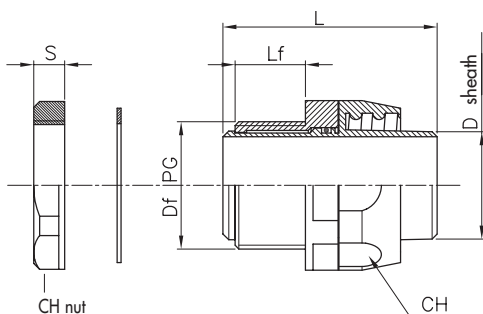
CODE	CODE	FOR Ø (mm) SHEATHS	Df	Lf	L	S	CH NUT
DX 54 008	DX 54 108	8	M12 X 1	9.5	34	7	17
DX 54 010	DX 54 110	10	M16 X 1.5	9.5	35.2	7	19
DX 54 012	DX 54 112	12	M16 X 1.5	10	39.5	7	22
DX 54 016	DX 54 116	16	M20 X 1.5	12.5	44.5	7	24
DX 54 020	DX 54 120	20	M25 X 1.5	13.5	48	8	30
DX 54 022	DX 54 122	22	M25 X 1.5	13.5	48	8	32
DX 54 025	DX 54 125	25	M32 X 1.5	15.5	54	8	38
DX 54 028	DX 54 128	28	M32 X 1.5	17.5	55	8	42
DX 54 032	DX 54 132	32	M40 X 1.5	16.5	56.5	9	45
DX 54 040	DX 54 140	40	M50 X 1.5	20.5	62	9	53
DX 54 050	DX 54 150	50	M63 X 1.5	20.5	65.5	9	66

RDG - GAS ROTATING PIPE-FITTING



CODE	CODE	FOR Ø (MM) SHEATHS	Df GAS	Lf	L	S	CH	CH NUT
DX 54 208	DX 54 308	8	1/4"	9.5	34	7	17	19
DX 54 210	DX 54 310	10	1/4"	9.5	35.2	7	19	19
DX 54 212	DX 54 312	12	3/8"	10	39.5	7	22	22
DX 54 214	DX 54 314	14	1/2"	11.5	42	7	22	28
DX 54 216	DX 54 316	16	1/2"	12.5	44.5	7	24	28
DX 54 220	DX 54 320	20	3/4"	13.5	48	8	30	34
DX 54 222	DX 54 322	22	3/4"	13.5	48	8	32	34
DX 54 225	DX 54 325	25	1"	15.5	54	8	38	34
DX 54 228	DX 54 328	28	1"	17.5	55	8	42	40
DX 54 232	DX 54 332	32	1 1/4"	16.5	56.5	9	45	50
DX 54 235	DX 54 335	35	1 1/4"	15.5	55	9	48	50
DX 54 240	DX 54 340	40	1 1/2"	20.5	62	9	53	58
DX 54 250	DX 54 350	50	2"	20.5	65.5	9	66	70

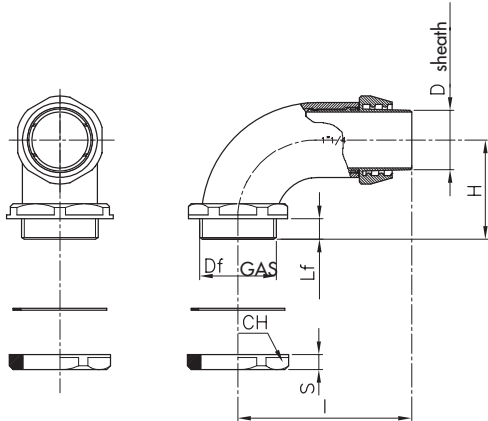
PG ROTATING PIPE-FITTING RDPG



CODE	CODE	FOR Ø (MM) SHEATHS	Df PG	Lf	L	S	CH	CH NUT
DX 54 408	DX 54 508	8	7	9.5	34	7	17	19
DX 54 410	DX 54 510	10	7	9.5	35.2	7	19	19
DX 54 411	DX 54 511	10	9	9.5	35.2	7	19	19
DX 54 412	DX 54 512	12	11	10	39.5	7	22	24
DX 54 413	DX 54 513	12	13.5	10	39.5	7	22	28
DX 54 414	DX 54 514	14	13.5	11.5	42	7	22	28
DX 54 416	DX 54 516	16	13.5	12.5	44.5	7	24	30
DX 54 417	DX 54 517	16	16	12.5	44.5	7	24	30
DX 54 420	DX 54 520	20	21	13.5	48	8	30	34
DX 54 422	DX 54 522	22	21	13.5	48	8	32	34
DX 54 425	DX 54 525	25	29	15.5	54	8	38	38
DX 54 428	DX 54 528	28	29	17.5	55	8	42	44
DX 54 432	DX 54 532	32	36	16.5	56.5	9	45	55
DX 54 435	DX 54 535	35	36	15.5	55	9	48	55

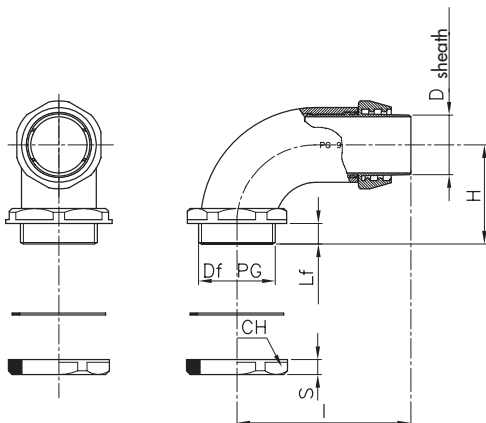
DIMENSIONAL TABLES

PG GAS ROTATING PIPE-FITTING RCG



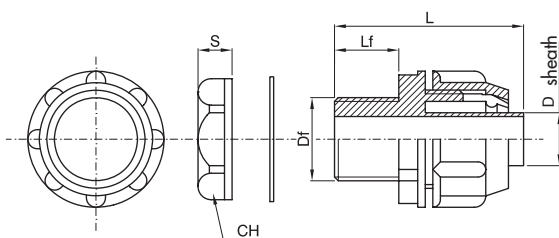
CODE	CODE	FOR Ø (mm) SHEATHS	Df GAS	Lf	H	I	S NUT	CH NUT
DX 55 010	DX 55 110	10	1/4"	8	25	46.5	7	19
DX 55 012	DX 55 112	12	3/8"	8	28	51	7	22
DX 55 016	DX 55 116	16	1/2"	9	32	60	7	24
DX 55 020	DX 55 120	20	3/4"	9	40	71	8	30
DX 55 025	DX 55 125	25	1"	10	42	79.5	8	39
DX 55 032	DX 55 132	32	1 1/4"	11	52	90	9	49

PG ROTATING PIPE-FITTING RCPG



CODE	CODE	FOR Ø (mm) SHEATHS	Df PG	Lf	H	I	S NUT	CH NUT
DX 55 210	DX 55 310	10	9	8	25	46.5	7	19
DX 55 212	DX 55 312	12	11	8	28	51	7	22
DX 55 213	DX 55 313	12	13.5	8	28	51	7	22
DX 55 216	DX 55 316	16	13.5	9	32	60	7	24
DX 55 217	DX 55 317	16	16	9	32	60	7	24
DX 55 220	DX 55 320	20	21	9	40	71	8	30
DX 55 225	DX 55 325	25	29	10	42	79.5	8	39
DX 55 232	DX 55 332	32	36	11	52	90	8	49

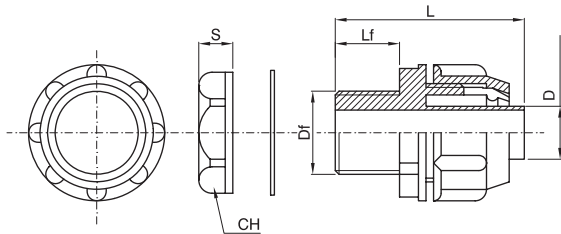
METRIC FIXED PIPE-FITTING RUN-M



CODE	CODE	FOR Ø (mm) SHEATHS	Df	Lf	H	S NUT	CH NUT
DX 56 008	DX 56 108	8	M12 X 1	15	33	7	18
DX 56 010	DX 56 110	10	M16 X 1.5	20	46	7.5	22
DX 56 012	DX 56 112	12	M16 X 1.5	20	46	7.5	22
DX 56 014	DX 56 114	14	M16 X 1.5	20	46	7.5	22
DX 56 016	DX 56 116	16	M20 X 1.5	20	49	7.5	27
DX 56 022	DX 56 122	20-22	M25 X 1.5	20	53	8.5	32
DX 56 025	DX 56 125	25	M25 X 1.5	20	53	8.5	32
DX 56 028	DX 56 128	28	M32 X 1.5	20	55	8.5	41
DX 56 040	DX 56 140	40	M40 X 1.5	20	55	9.5	48
DX 56 050	DX 56 150	50	M50 X 1.5	19	61	9.5	58

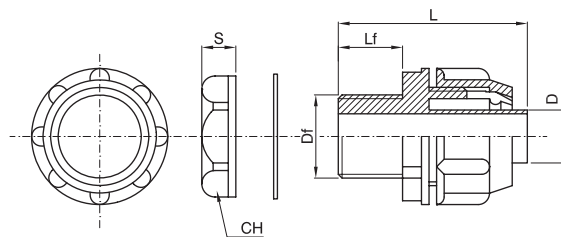
TECHNICAL CHARACTERISTICS

GAS FIXED PIPE-FITTING RUN-G



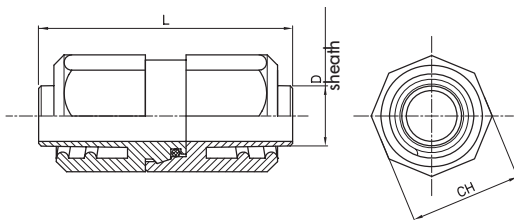
CODE	CODE	FOR Ø (mm) SHEATHS	Df GAS	Lf	L	S NUT	CH NUT
DX 56 208	DX 56 308	8	1/4"	15	33	7	19
DX 56 210	DX 56 310	10	1/4"	20	46	7	19
DX 56 212	DX 56 312	12	3/8"	20	46	7	24
DX 56 214	DX 56 314	14	3/8"	20	46	7	28
DX 56 216	DX 56 316	16	1/2"	20	49	7	28
DX 56 222	DX 56 322	20-22	3/4"	20	53	7	34
DX 56 225	DX 56 325	25	3/4"	20	53	7	34
DX 56 228	DX 56 328	28	1"	20	55	8	40
DX 56 232	DX 56 332	32	1 1/4"	20	55	10	50
DX 56 235	DX 56 335	35	1 1/4"	20	55	10	50
DX 56 240	DX 56 340	40	1 1/2"	20	55	10	58
DX 56 250	DX 56 350	50	2"	19	61	8	70

PG FIXED PIPE-FITTING RUN-PG



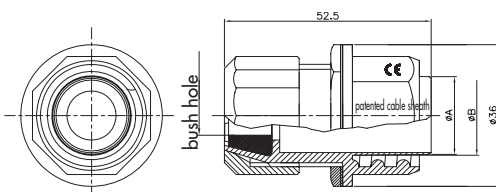
CODE	CODE	FOR Ø (mm) SHEATHS	Df PG	Lf	L	S NUT	CH NUT
DX 56 408	DX 56 508	8	7	15	33	7	19
DX 56 410	DX 56 510	10	7	20	46	7	19
DX 56 411	DX 56 511	12	9	20	46	7	19
DX 56 412	DX 56 512	12	11	20	46	7	24
DX 56 413	DX 56 513	12	13.5	20	46	7	28
DX 56 414	DX 56 514	14	13.5	20	46	7	28
DX 56 415	DX 56 515	16	11	20	49	7	30
DX 56 416	DX 56 516	16	13.5	20	49	7	30
DX 56 417	DX 56 517	16	16	20	49	7	30
DX 56 422	DX 56 522	20-22	16	20	53	7	30
DX 56 423	DX 56 523	20-22	21	20	53	8	34
DX 56 425	DX 56 525	25	21	20	53	8	34
DX 56 428	DX 56 528	28	29	20	55	8	44
DX 56 432	DX 56 532	32	36	20	55	8	55
DX 56 435	DX 56 535	35	36	20	55	8	55
DX 56 440	DX 56 540	40	42	20	55	8	70
DX 56 450	DX 56 550	50	48	19	61	8	70

MDG-G - SHEATH-SHEATH STRAIGHT ROTATING COUPLING



CODE	FOR Ø (mm) SHEATHS	L	CH NUT
DX 55 812	12	55	22
DX 55 816	16	56	24
DX 55 820	20	56	30

SHEATH-CABLE QUICK RELEASE PIPE-FITTING RGC



CODE	Ø (mm) CABLE	GROMMET HOLE	Ø (mm) SHEATH
DX 55 613	from Ø 3 to Ø 6	6	16
DX 55 616	from Ø 6 to Ø 9	9	16
DX 55 619	from Ø 9 to Ø 12	12	16
DX 55 623	from Ø 3 to Ø 6	6	20
DX 55 626	from Ø 6 to Ø 9	9	20
DX 55 629	from Ø 9 to Ø 12	12	20