

### RIGID CONDUITS

#### RK 15 MEDIUM SIZE CONDUIT

Name: RK15	Insulation resistance > 100 MΩ at 500 V per 1 minute
Colour: RAL 7035 grey	Dielectric rigidity: > 2000 V at 50 Hz per 15 minutes
Material: PVC	Resistance to flame propagation: self-extinguishing in less than 30 seconds
Length supplied: 2 and 3 metre strips (± 0.5%)	Application field: electric systems and/or data transmission in all types of environment
Standard: EN 50086-1 (CEI 23-39), EN 50086-2-1 (CEI 23-54) e IEC EN 61386-1; IEC EN 61386-21	Installation type: mainly exposed on walls and ceilings. suitable for applications inside false ceilings and floating floors.
Classification: medium - 3321	Flush -mounted in floors, walls and/or ceilings
Compression strength: 750N	
Impact resistance: 2 kg of 100 mm (2 J)	
Permanent application and installation temperature: -5°C/+60°C	

#### RKB HEAVY CONDUIT

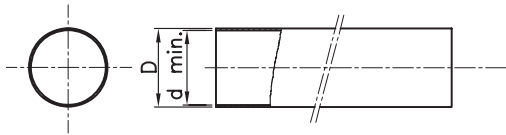
Name: RKB	Insulation resistance > 100 MΩ 500 V for 1 minute
Colour: RAL 7035 grey	Dielectric rigidity: > 2000 V at 50 Hz for 15 minutes
Material: PVC	Resistance to flame propagation: self-extinguishing in less than 30 seconds
Length supplied: 2 and 3 metre strips (± 0.5%)	Application field: electric systems and/or data transmission in all types of environment
Regulation: EN 50086-1 (CEI 23-39), EN 50086-2-1 (CEI 23-54) and IEC EN 61386-1; IEC EN 61386-21	Installation type: mainly exposed on walls and ceilings. suitable for applications inside false ceilings and floating floors. Flush - mounted in floors, walls and/or ceilings
Classification: heavy - 4321	
Compression strength: 1250N	
Impact resistance: 2 kg of 100 mm (2 J)	
Permanent application and installation temperature: -5°C/+60°C	

#### RKHF HEAVY CONDUIT

Name: RKHF	Dielectric rigidity: > 2000 V at 50 Hz for 15 minutes
Colour: RAL 7035 grey	Resistance to flame propagation: self-extinguishing in less than 30 seconds
Material: halogen-free in compliance with EN 50267-2-2 Standard	Application field: electric systems and/or data transmission in all types of environment
Length supplied: 2 metre strips 0.5%)	Particularly suitable for installations in public places: schools, cinemas, theatres, trains, undergrounds, etc.
Standard: IEC EN 61386-1; IEC EN 61386-21	Installation type: mainly exposed on walls and ceilings. Suitable for applications inside false ceilings and floating floors.
Classification: heavy - 4422	Flush -mounted in floors, walls and/or ceilings
Compression strength: 1250N	
Impact resistance: 2 kg of 300 mm (6 J)	
Permanent application and installation temperature: -5°C/+90°C	
Insulation resistance > 100 MΩ at 500 V for 1 minute	

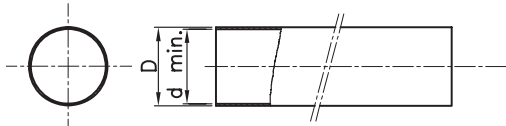
### DIMENSIONAL TABLES

#### RK 15 - MEDIUM SIZE RIGID CONDUIT



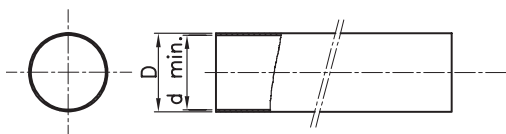
CODE 2m	CODE 3m	Ø (mm) CONDUITS	D	d. min
DX 25 216	DX 25 316	16	16 <sup>0</sup> <sub>-0.3</sub>	13
DX 25 220	DX 25 320	20	20 <sup>0</sup> <sub>-0.3</sub>	16.9
DX 25 225	DX 25 325	25	25 <sup>0</sup> <sub>-0.4</sub>	21.4
DX 25 232	DX 25 332	32	32 <sup>0</sup> <sub>-0.4</sub>	27.8
	DX 25 340	40	40 <sup>0</sup> <sub>-0.4</sub>	35.4
	DX 25 350	50	50 <sup>0</sup> <sub>-0.5</sub>	44.3
	DX 25 363	63	63 <sup>0</sup> <sub>-0.6</sub>	55

#### RKB - HEAVY RIGID CONDUIT



CODE 2m	CODE 3m	Ø (mm) CONDUITS	D	d. min
DX 25 616	DX 25 716	16	16 <sup>0</sup> <sub>-0.3</sub>	11.2
DX 25 620	DX 25 720	20	20 <sup>0</sup> <sub>-0.3</sub>	15.4
DX 25 625	DX 25 725	25	25 <sup>0</sup> <sub>-0.4</sub>	19.5
DX 25 632	DX 25 732	32	32 <sup>0</sup> <sub>-0.4</sub>	26.8
	DX 25 740	40	40 <sup>0</sup> <sub>-0.4</sub>	33.3
	DX 25 750	50	50 <sup>0</sup> <sub>-0.5</sub>	42.7
	DX 25 763	63	63 <sup>0</sup> <sub>-0.6</sub>	56.6

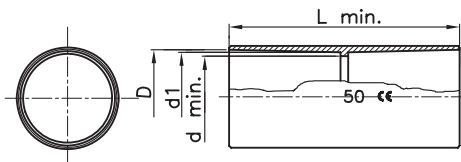
#### RKHF - HALOGEN FREE RIGID CONDUIT



CODE 2m	Ø (mm) CONDUITS	D	d. min
DX 26 216	16	16 <sup>0</sup> <sub>-0.3</sub>	10.8
DX 26 220	20	20 <sup>0</sup> <sub>-0.3</sub>	14.5
DX 26 225	25	25 <sup>0</sup> <sub>-0.4</sub>	19.3
DX 26 232	32	32 <sup>0</sup> <sub>-0.4</sub>	25.8
DX 26 240	40	40 <sup>0</sup> <sub>-0.4</sub>	32.8
DX 26 250	50	50 <sup>0</sup> <sub>-0.5</sub>	42.4
DX 26 263	63	63 <sup>0</sup> <sub>-0.6</sub>	54.6

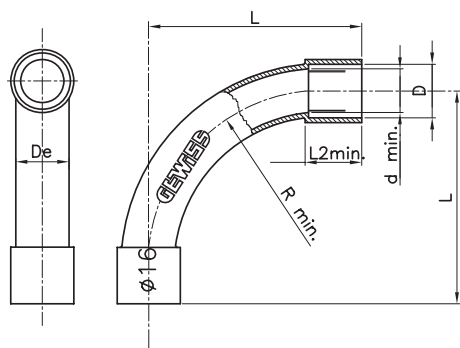
## TECHNICAL CHARACTERISTICS

### RKM - COUPLING



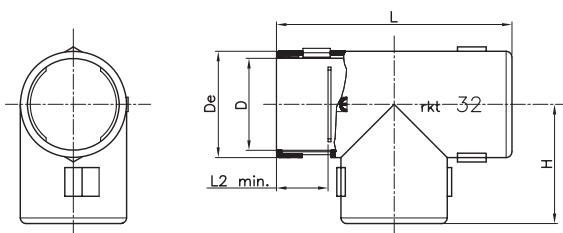
CODE	Ø (mm) CONDUITS	D	d min.	d1	L min.
DX 40 016	16	16.2	14.5	16	80
DX 40 020	20	20.2	17.8	19.7	81
DX 40 025	25	25.3	23.1	24.9	81
DX 40 032	32	32.3	29.5	31.7	102
DX 40 040	40	40.3	37.4	39.7	111.5
DX 40 050	50	50.3	46.7	49.7	122
DX 40 063	63	63.3	60	62.7	130

### 90° - RKS TIGHT BEND



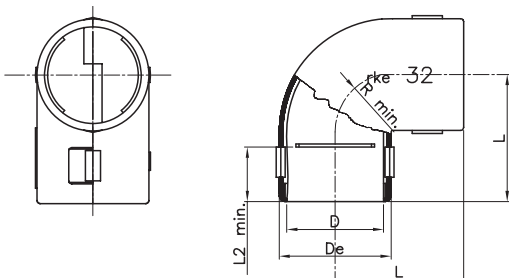
2M CODE	FOR CONDUITS Ø (mm)	D	De	d. min	R min	L2 min.	L
DX 40 116	16	16.1 +0.2 0	16 0 -0.3	13	53	17	64
DX 40 120	20	20.1 +0.2 0	20 0 -0.3	17	65	20	79
DX 40 125	25	25.1 +0.3 0	25 0 -0.4	22	80	28	100
DX 40 132	32	32.1 +0.3 0	32 0 -0.4	29	95	32	110
DX 40 140	40	40.1 +0.4 0	40 0 -0.4	36	120	40	138
DX 40 150	50	50.1 +0.4 0	50 0 0.5	46	140	50	173
DX 40 163	63	63.1 +0.6 0	63 0 -0.6	55	157	63	253

### RKT - INSPECTION T JUNCTION



CODE	FOR CONDUITS Ø (mm)	D	De	L	H	L2 min.
DX 40 216	16	16.1	20	65	32.5	17
DX 40 220	20	20.1	24.5	70.5	35.25	17.5
DX 40 225	25	25.1	30	75.5	37.75	18.5
DX 40 232	32	32.1	37	82.3	41.15	18.5

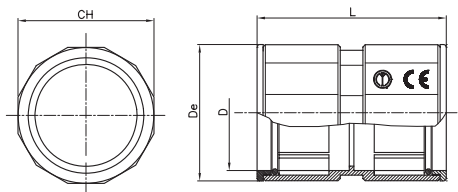
### RKE - INSPECTION BEND



CODE	FOR CONDUITS Ø (mm)	D	De	L	R min.	L2 min.
DX 40 316	16	16.1	20	32	11	17
DX 40 320	20	20.1	24.5	33	14	17
DX 40 325	25	25.1	30	39	18	18
DX 40 332	32	32.1	37	42	22	18

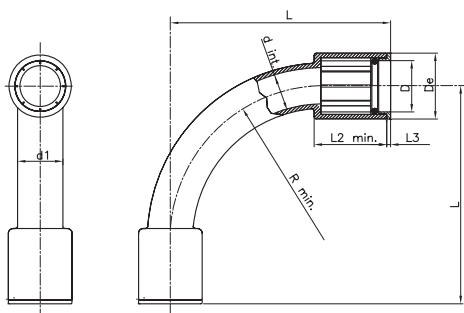
### DIMENSIONAL TABLES

#### MM - MORBIDX® COUPLING



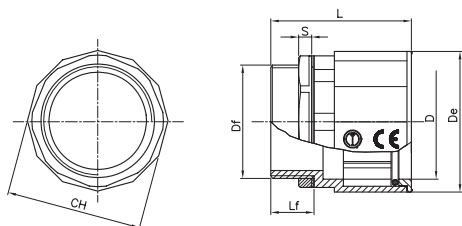
CODE	FOR CONDUITS Ø (mm)	D	De	L	CH
DX 43 016	16	16.3	25	77.6	25
DX 43 020	20	20.3	28.8	79	29
DX 43 025	25	25.4	33.4	79	34
DX 43 032	32	32.5	39.9	78.6	42
DX 43 040	40	40.7	48.7	81.6	49
DX 43 050	50	50.6	59.2	81.6	60

#### CM - MORBIDX® BEND



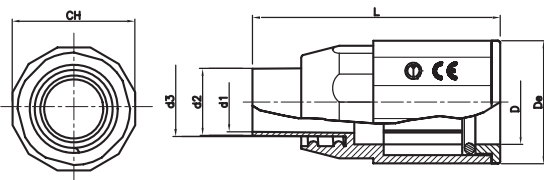
CODE	FOR CONDUITS Ø (mm)	D	De	d	d1	L	R MIN.	L2 MIN.	L3
DX 43 116	16	16.3	25	12	16	78.8	58	32	1.8
DX 43 120	20	20.3	28.8	16	20	89	68	32	2
DX 43 125	25	25.4	33.4	21	25	109	88	32	2
DX 43 132	32	32.5	39.9	28	32	111.8	98	32	1.8
DX 43 140	40	40.7	48.7	36	40	137.8	120	40	1.8
DX 43 150	50	50.6	59.2	46	50	151.8	150	50	1.8

#### MS - MORBIDX® CONDUIT/BOX CONNECTOR



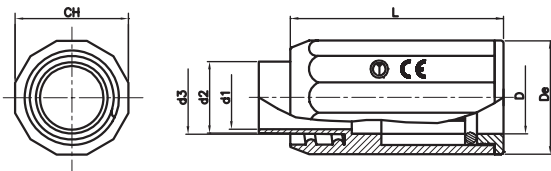
CODE	FOR CONDUITS Ø (mm)	D	De	L	CH	Df	Lf	S NUT	CH NUT
DX 43 216	16	16.3	25	51.8	25	M16x1.5	11	7	22
DX 43 220	20	20.3	28.8	53	29	M20x1.5	12	7	27
DX 43 225	25	25.4	33.4	57	34	M25x1.5	16	8	32
DX 43 232	32	32.5	39.9	55.8	42	M32x1.5	15	8	40
DX 43 240	40	40.7	48.7	59.8	50	M40x1.5	17	9	47
DX 43 250	50	50.6	59.2	61.3	60	M50x1.5	19	9	57

### RMG - MORBIDIX® RELEASE CONDUIT-SHEATH UNION



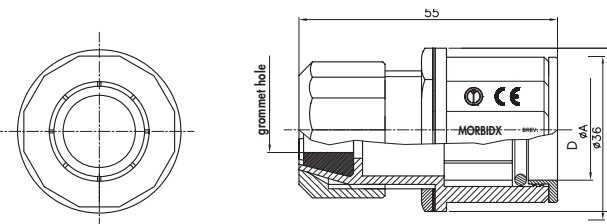
CODE	FOR CONDUITS Ø (mm)	D	De	d1	d2	d3	L	CH
DX 43 316	16	16.3	25	10.5	16	12.2	54.8	25
DX 43 320	20	20.3	28.8	14.5	20	16.2	58	29
DX 43 325	25	25.4	33.4	18.5	25	20.2	64	34
DX 43 332	32	32.5	39.9	23.5	32	25	69.8	42
DX 43 340	40	40.7	48.7	30	40	32.2	74.8	52
DX 43 350	50	50.6	59.2	38	50	40.2	81.8	60

### RMG/N - MORBIDIX® NEW RELEASE CONDUIT-SHEATH UNION



CODE	FOR CONDUITS Ø (mm)	D	De	d1	d2	d3	L	CH
DX 43 416	16	16.3	25	14	15.8	16	57.8	26
DX 43 420	20	20.3	28.8	18	19.8	20	64	30
DX 43 425	25	25.4	33.4	22.5	24.8	25	70	34
DX 43 432	32	32.5	39.9	30	31.8	32	71.8	45
DX 43 440	40	40.7	48.7	38	39.8	40	81.8	54

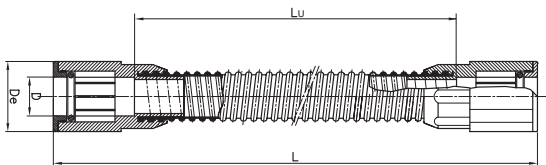
### RTC - RELEASE CONDUIT-CABLE UNION



CODE	Ø (mm) CABLE	GROMMET HOLE	Ø (mm) CONDUIT	D
DX 43 713	from Ø 3 to Ø 6	6	20	20.3
DX 43 716	from Ø 6 to Ø 9	9	20	20.3
DX 43 719	from Ø 9 to Ø 12	12	20	20.3

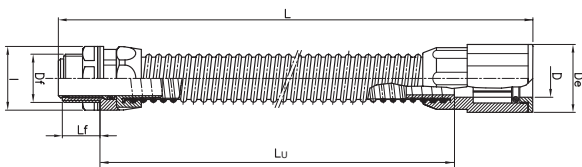
### DIMENSIONAL TABLES

#### SVM-TT - MORBIDX® CONDUIT-CONDUIT UNIVERSAL ACCESSORY



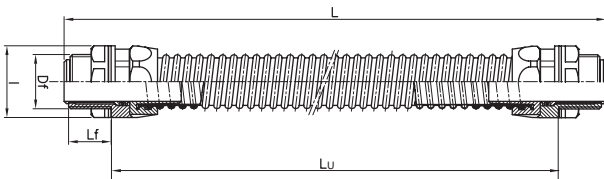
CODE	FOR CONDUITS Ø (mm)	D	De	Lu	L
DX 43 516	16	16.3	25	110	178
DX 43 520	20	20.3	28.8	132	200
DX 43 525	25	25.4	33.4	209	285
DX 43 532	32	32.5	39.9	301	378
DX 43 540	40	40.7	48.7	302	383
DX 43 550	50	50.6	59.2	311	388

#### SVM-TS - MORBIDX® CONDUIT-BOX UNIVERSAL ACCESSORY



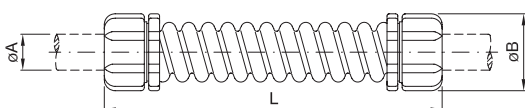
CODE	FOR CONDUITS Ø (mm)	D	De	Lu	L	Lf	Df	I
DX 43 616	16	16.3	25	131	180	12.5	16x1.5	26
DX 43 620	20	20.3	28.8	150	200	13.5	20x1.5	33
DX 43 625	25	25.4	33.4	230	284	15.5	25x1.5	41
DX 43 632	32	32.5	39.9	321	380	16.5	32x1.5	47
DX 43 640	40	40.7	48.7	325	386	20.5	40x1.5	55.5
DX 43 650	50	50.6	59.2	331	395	20.5	50x1.5	68.5

#### SVSS - UNIVERSAL BOX-BOX ACCESSORY



CODE	FOR CONDUITS Ø (mm)	Df	Lf	Lu	L	I
DX 42 216	16	16x1.5	12.5	148	175	26
DX 42 220	20	20x1.5	13.5	165	195	33
DX 42 225	25	25x1.5	15.5	245	280	41
DX 42 232	32	32x1.5	16.5	340	380	47
DX 42 240	40	40x1.5	20.5	345	390	55.5
DX 42 250	50	50x1.5	20.5	345	395	68.5

#### 50 AC RANGE - IP 44 - IP 66 SPEEDY-FLEX COUPLINGS

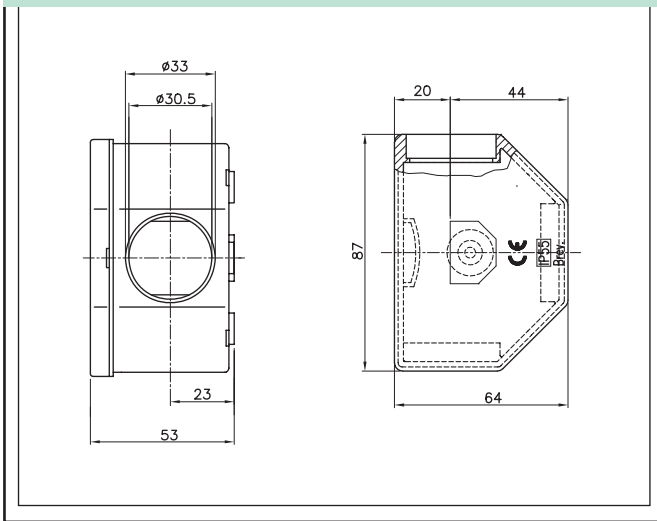


CODE	Ø (mm) A	Ø (mm) B	L
GW 50 201	16	27	140
GW 50 202	20	31.5	160
GW 50 203	25	41	205
GW 50 204	32	55	290
GW 50 205	40	65	400
GW 50 206	50	72	515

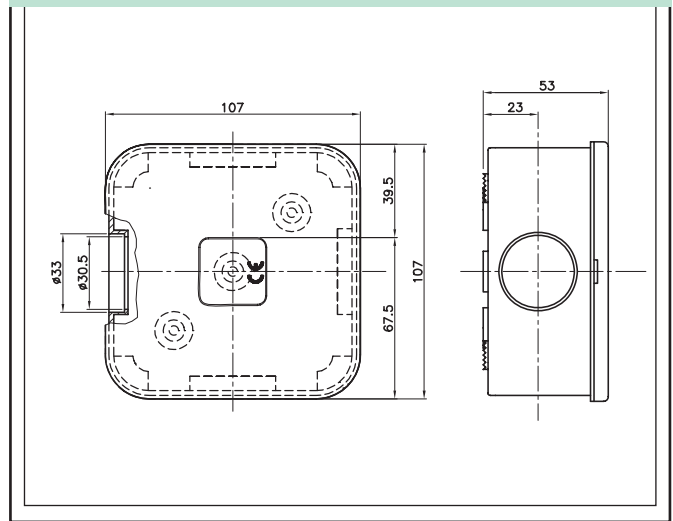
CODE	Ø (mm) A	Ø (mm) B	L
GW 50 207	16	24	135
GW 50 208	20	30	160
GW 50 209	25	35	205
GW 50 210	32	45	280
GW 50 211	40	55	400
GW 50 212	50	65	515

### DIMENSIONAL TABLES

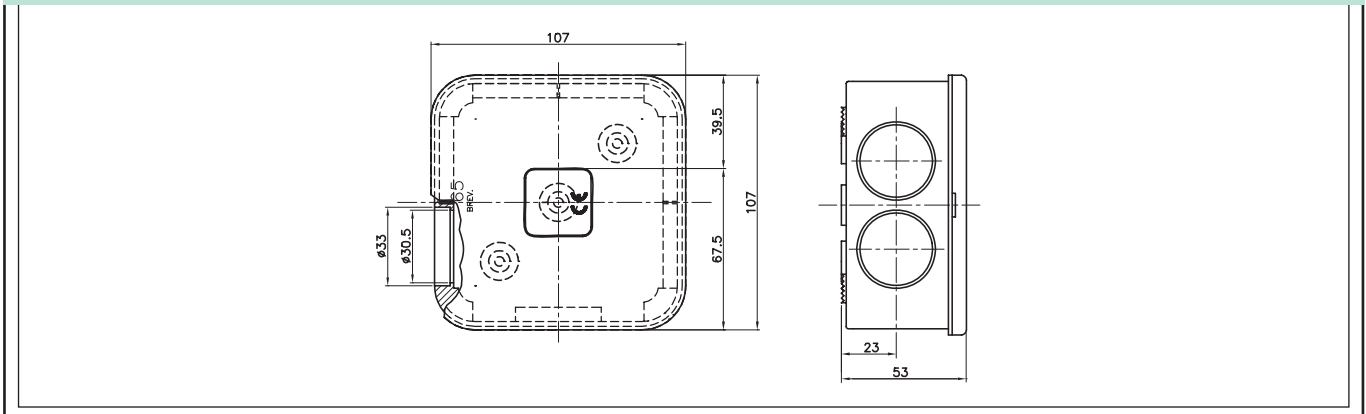
**TX3 - THREE-INPUT TRIX® BOX**



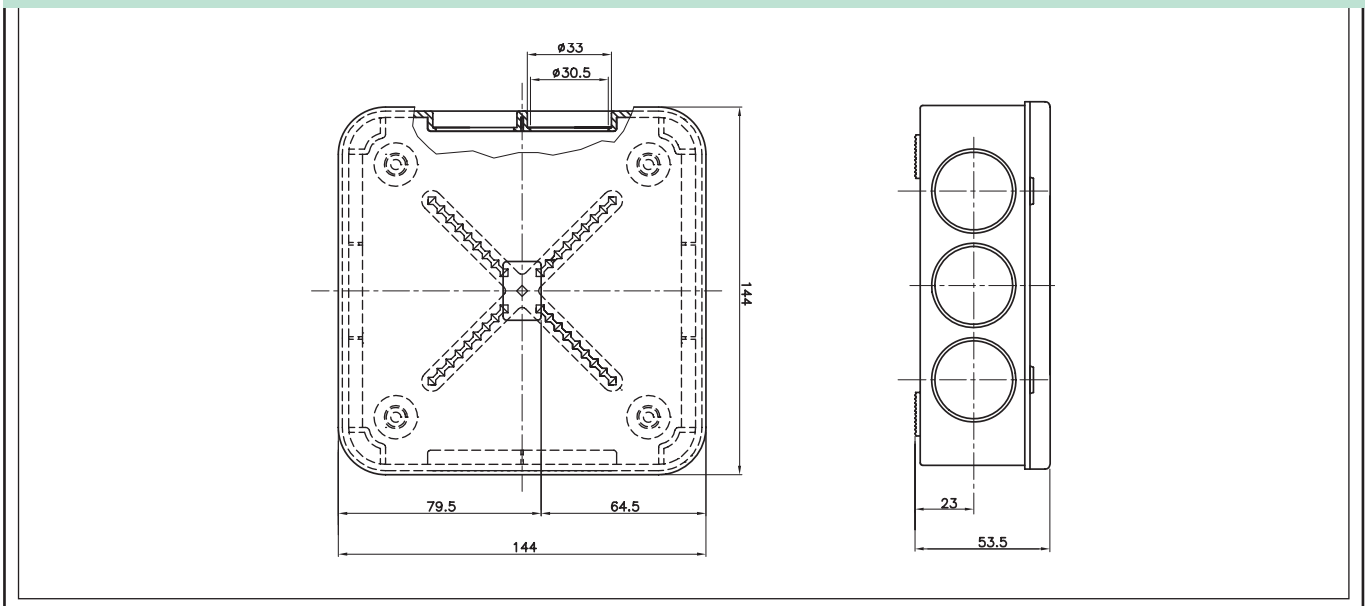
**QX4 - FOUR-INPUT QUADRIX® BOX**



**QX7 - SEVEN-INPUT QUADRIX® BOX**

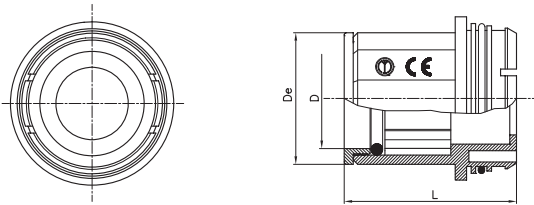


**QX10 - TEN-INPUT QUADRIX® BOX**



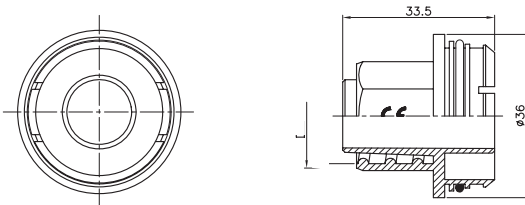
RK RANGE

### RMX - TRIX/QUADRIX®/MORBIDX® CONDUIT CONNECTOR®



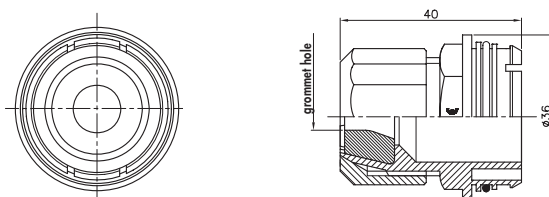
CODE	FOR CONDUITS Ø (mm)	D	De	L
DX 47 616	16	16.3	25	37.8
DX 47 620	20	20.3	28.8	38
DX 47 625	25	25.4	33.4	38

### RGX - TRIX/QUADRIX® SHEATH CONNECTOR®



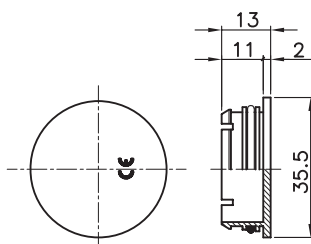
CODE	FOR SHEATHS Ø (mm)	D
DX 47 212	12	16.4
DX 47 216	16	20.8
DX 47 220	20	26

### PCX - CABLE GLAND CABLE TRIX®/QUADRIX®



CODE	Ø (mm) CABLES	GROMMET HOLE
DX 47 503	from Ø 3 to Ø 6	Ø 6
DX 47 506	from Ø 6 to Ø 9	Ø 9
DX 47 509	from Ø 9 to Ø 12	Ø 12

### END-COVER CAP - CODE DX 47 000



### BOX-BOX - CONNECTOR CODE DX 47 001

