

42 TV RANGE

MULTIFUNCTIONAL SUPPORTING BASES



TECHNICAL CHARACTERISTICS

42 TV - DISTRIBUTION TOWER AND BOARDS

TECHNICAL CHARACTERISTICS

Standard: IEC 60670; CEI 23-48

IP rating: IP 41; IP 55

Protection against indirect contacts: Double insulation - □ (•)

Installation temperature: Max +60° Min -5°

Material: GW PLAST

Impact resistance: IK 07 (small boards dimen. 200x150 mm)

IK 08 (small boards dimen. 300x200 mm and 400x300)

Resistance to abnormal heat and fire: Thermo-pressure with ball 70°C

Glow wire test 650°C

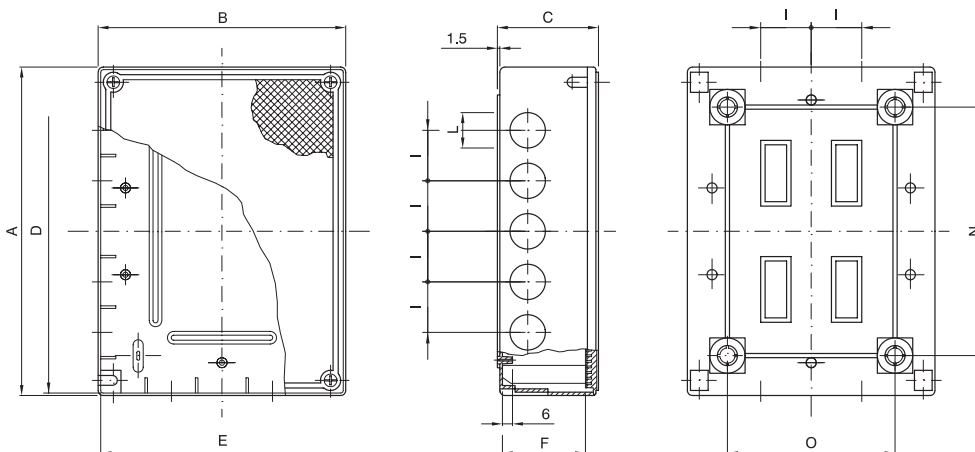
(•) Complete insulation to Standard EN 61140, obtainable with screwcaps supplied.

BEHAVIOUR WITH CHEMICAL AND ATMOSPHERIC AGENTS

Saline solution	Acids		Bases		Solvents				Mineral oil	UV rays
	Concentrated	Diluted	Concentrated	Diluted	Hexane	Benzol	Acetone	Ethyl alcohol		
Resistant	Limited resistance	Resistant	Resistant	Resistant	Resistant	Not resistant	Not resistant	Limited resistance	Limited resistance	Resistant

DIMENSIONAL TABLES

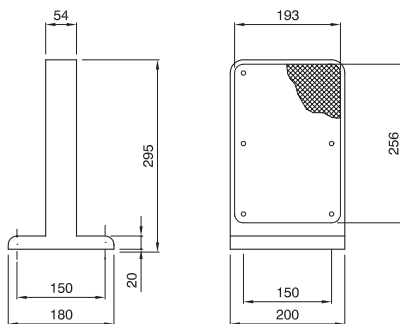
SURFACE-MOUNTING DISTRIBUTION BOARDS



CODE	A	B	C	D	E	F	I	L	N	O
GW 42 001	200	150	40	196	146	30	30	21	150	100
GW 42 002	200	150	60	196	146	50	30	21	150	100
GW 42 003	200	150	80	196	146	70	30	21	150	100
GW 42 004	300	200	40	295	195	30	40	23-29	250	150
GW 42 005	300	200	60	295	195	50	40	23-29	250	150
GW 42 006	300	200	80	295	195	70	40	23-29	250	150
GW 42 007	300	200	120	295	195	110	40	23-29	250	150
GW 42 008	400	300	60	395	295	50	40	23-29	330	230
GW 42 009	400	300	80	395	295	70	40	23-29	330	230
GW 42 010	400	300	120	395	295	110	40	23-29	330	230

42 TV RANGE BACK-MOUNTING PLATE COUPLINGS		
44 CE RANGE PLATE INSULATING	METAL	42 TV RANGE BOARD EXTERNAL DIMENSIONS
GW 44 615	GW 44 625	200 x 150
GW 44 616	GW 44 626	300 x 200
GW 44 617	GW 44 627	400 x 300

FLOOR-STANDING TOWER



GW 68 441