

42 RV RANGE

WATERTIGHT SURFACE AND FLUSH-MOUNTING EMERGENCY ENCLOSURES



TECHNICAL CHARACTERISTICS

42 RV - WATERTIGHT ENCLOSURES FOR ALARM SIGNALLING AND EMERGENCY OPERATION

TECHNICAL CHARACTERISTICS (valid also for self-supporting plates)

Standard: IEC 60670-1; IEC 60670-22; CEI 23-48; CEI 23-49

Material: GW PLAST

IP rating: IP 55

Impact resistance: IK 08 (IP 55 Box)

Protection against indirect contacts: Double insulation - □ (●)

Resistance to abnormal heat and fire: thermo-pressure with ball 70°C

Installation temperature: Max +60° Min -25° wall-mounting version

Glow wire test 650°C

Max +60° Min -15° flush-mounting version

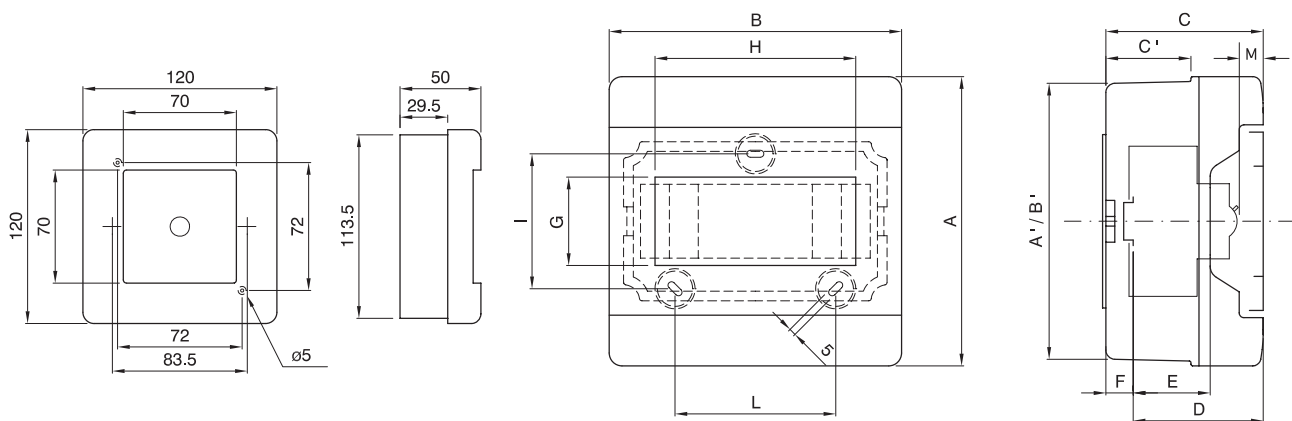
(●) Full insulation in compliance with EN 61140 Standard, obtained by means of screwcaps supplied.

BEHAVIOUR WITH CHEMICAL AND ATMOSPHERIC AGENTS

Saline solution	Acids		Bases		Solvents				Mineral oil	UV rays
	Concentrated	Diluted	Concentrated	Diluted	Esane	Benzol	Acetone	Ethyl alcohol		
Resistant	Non resistant	Resistant	Resistant	Resistant	Resistant	Non resistant	Non resistant	Limited resistance	Limited resistance	Limited resistance

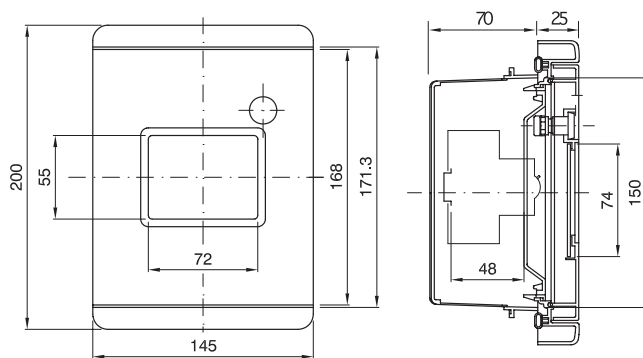
DIMENSIONAL TABLES

WATERTIGHT WALL-MOUNTING ENCLOSURES

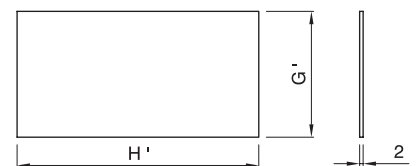


CODE	OVERALL DIMENSIONS						MODULAR ASSEMBLY						FIXING		
	A	B	C	A'	B'	C'	D	E	F	G	H	M	NR	I	L
GW 42 204															
4M GW 42 206	180	108	100	172	100	55	78	48	9.3	55	55	29	2	84	-
GW 42 207															
8M GW 42 202	180	180	100	172	172	55	78,5	48	9.3	55	125	25	3	138	100
GW 42 208															
GW 42 203	180	180	100	172	172	55	-	-	-	55	125	25	3	138	100

WATERTIGHT WALL-MOUNTING ENCLOSURES



SPARE "SICUR PUSH" GLASS



CODE	G'	H'
GW 42 201	79	79
4 MODULES	74	63
8 MODULES	74	142

42 TV RANGE

MULTIFUNCTIONAL SUPPORTING BASES



TECHNICAL CHARACTERISTICS

42 TV - DISTRIBUTION TOWER AND BOARDS

TECHNICAL CHARACTERISTICS

Standard: Standard: IEC 60670-1; IEC 60670-22; CEI 23-48

IP rating: IP 41; IP 55

Protection against indirect contacts: Double insulation - □ (●)

Installation temperature: Max +60° Min -5°

Material: GW PLAST

Impact resistance: IK 07 (boards dim. 200x150 mm)

IK 08 (boards dim. 300x200 mm and 400x300)

Resistance to abnormal heat and fire: Thermo-pressure with ball 70°C
Glow wire test 650°C

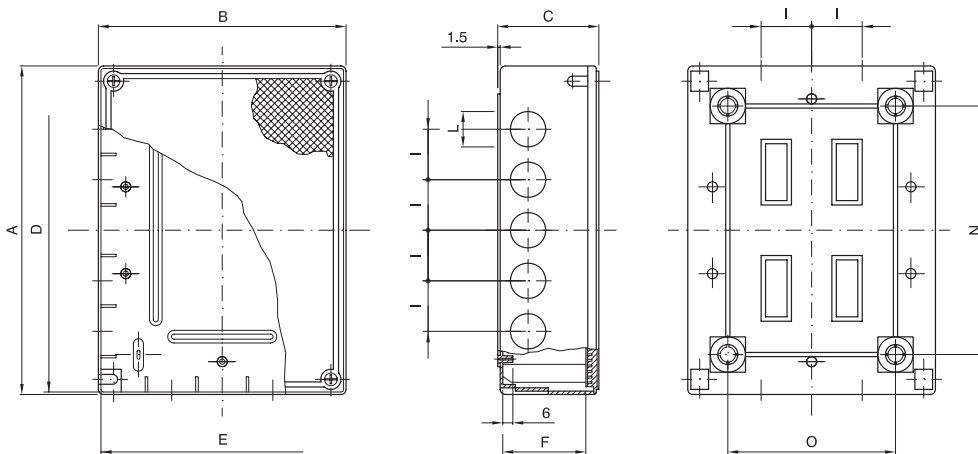
(●) Full insulation in compliance with EN 61140 Standard, obtainable by using the screwcaps supplied.

BEHAVIOUR WITH CHEMICAL AND ATMOSPHERIC AGENTS

Saline solution	Acids		Bases		Solvents				Mineral oil	UV rays
	Concentrated	Diluted	Concentrated	Diluted	Esane	Benzol	Acetone	Ethyl alcohol		
Resistant	Non resistant	Resistant	Resistant	Resistant	Resistant	Non resistant	Non resistant	Limited resistance	Limited resistance	Limited resistance

DIMENSIONAL TABLES

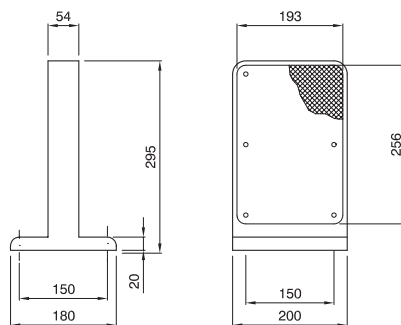
WALL-MOUNTING DISTRIBUTION BOARDS



CODE	A	B	C	D	E	F	I	L	N	O
GW 42 001	200	150	40	196	146	30	30	21	150	100
GW 42 002	200	150	60	196	146	50	30	21	150	100
GW 42 003	200	150	80	196	146	70	30	21	150	100
GW 42 004	300	200	40	295	195	30	40	23-29	250	150
GW 42 005	300	200	60	295	195	50	40	23-29	250	150
GW 42 006	300	200	80	295	195	70	40	23-29	250	150
GW 42 007	300	200	120	295	195	110	40	23-29	250	150
GW 42 008	400	300	60	395	295	50	40	23-29	330	230
GW 42 009	400	300	80	395	295	70	40	23-29	330	230
GW 42 010	400	300	120	395	295	110	40	23-29	330	230

COUPLINGS FOR BACK-MOUNTING PLATES 44 CE RANGE - 42 TV RANGE		
44 CE RANGE PLATE		42 TV RANGE BOARD EXTERNAL DIMENSIONS
METAL	INSULATING	
GW 44 615	GW 44 625	200 x 150
GW 44 616	GW 44 626	300 x 200
GW 44 617	GW 44 627	400 x 300

FLOOR-STANDING DISTRIBUTION PILLAR



GW 68 441