

40 CDI RANGE

FLUSH-MOUNTING DISTRIBUTION BOARDS AND ENCLOSURES



TECHNICAL CHARACTERISTICS

40 CDK - FLUSH-MOUNTED MODULAR PROTECTED ENCLOSURES AND DISTRIBUTION BOARDS

TECHNICAL CHARACTERISTICS

Standards: IEC 60670-1; CEI 23-48; CEI 23-49	Material: GW PLAST
Protection class: IP 40	Impact resistance: IK 08
Indirect contact protection: double insulation - □ (●)	Abnormal heat and fire resistance: thermo-pressure with ball 70°C
Installation temperature: Max +60°C; Min -15°C	Glow wire test 650°C

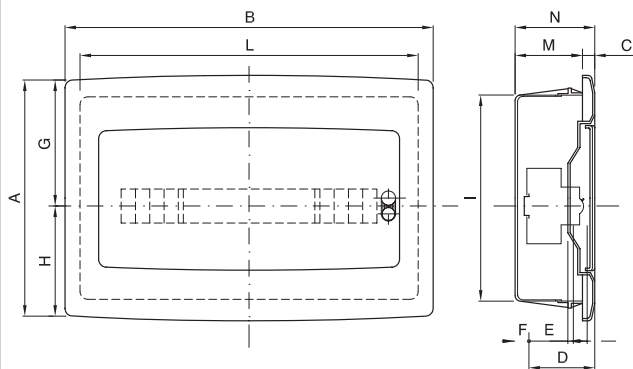
(●) Full insulation in compliance with EN 61140 Standard.

BEHAVIOUR WITH CHEMICAL AND CORROSIVE AGENTS

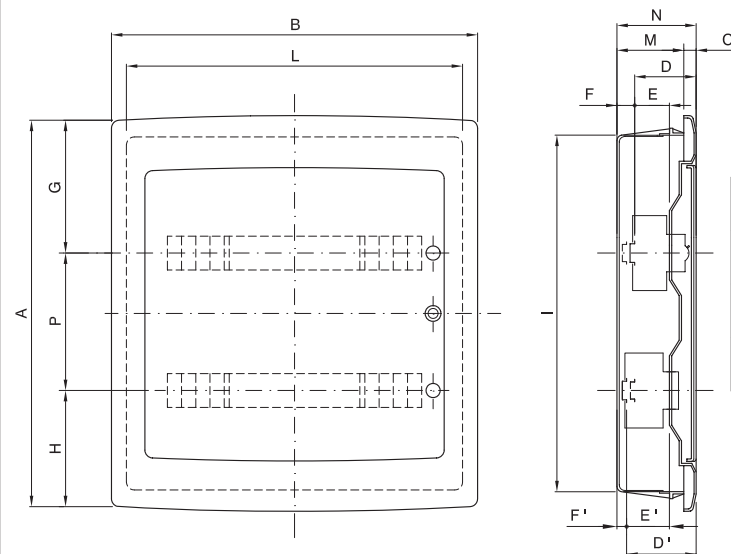
Saline solution	Acids		Bases		Solvents				Mineral oil	UV Rays
	Concentrated	Diluted	Concentrated	Diluted	Hexane	Benzol	Acetone	Ethyl alcohol		
Resistant	Not resistant	Limited resistance	Limited resistance	Not resistant	Not resistant	Not resistant	Not resistant	Limited resistance	Limited resistance	Limited resistance

DIMENSION TABLES

ENCLOSURES AND DISTRIBUTION BOARDS



CODE	OVERALL DIMENSIONS				MODULAR ASSEMBLY					FIXING		
	A	B	C	N	D	E	F	G	H	I	L	M
2M GW 40 601	160	83	8	82	-	48	16	80	80	129	55	74
4M GW 40 602 GW 40 882	160	120	12	97	75	48	14	80	80	138	111	85
6M GW 40 603 GW 40 883	170	200	12	97	75	48	14	90	80	138	165	85
8M GW 40 604 GW 40 884	193	240	12	97	75	48	14	105	90	162	200	85
12M GW 40 605 GW 40 885	270	330	16	101	75	48	17	148	122	230	290	85
18M GW 40 608 GW 40 888	310	465	16	101	75	48	17	165	145	260	427	85



CODE	OVERALL DIMENSIONS				MODULAR ASSEMBLY								FIXING			
	A	B	C	N	E	F	G	H	P	D'	E'	F'	I	L	M	
24M GW 40 606 GW 40 886	420	330	16	101	75	48	17	148	122	150	-	-	-	380	290	85
36M GW 40 609 GW 40 889	505	465	16	101	75	48	17	175	155	175	-	-	-	465	427	85
54M GW 40 610 GW 40 890	680	465	25	120	75	48	37	175	155	175	101	74	11	630	415	95
72M GW 40 611 GW 40 891	855	465	25	120	75	48	37	175	155	175	101	74	11	805	415	95

TECHNICAL CHARACTERISTICS

40 CD - PROTECTED FLUSH-MOUNTING ENCLOSURES

TECHNICAL CHARACTERISTICS

Standards: IEC 60670-1; IEC 60670-24; CEI 23-48; CEI 23-49	Material: GW PLAST
Protection class: IP 40	Impact resistance: IK 08
Indirect contact protection: double insulation - □ (●)	Abnormal heat and fire resistance: thermo-pressure with ball 70°C
Installation temperature: Max +60°C; Min -15°C	Glow wire test 650°C

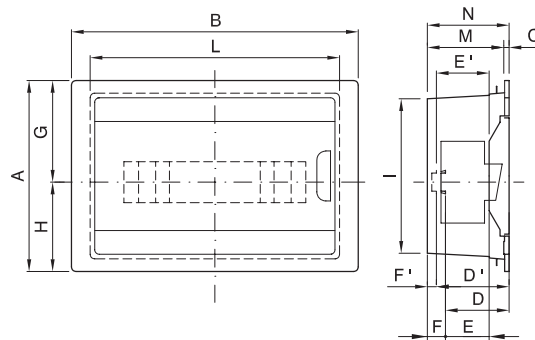
(●) Full insulation in compliance with EN 61140 Standard.

BEHAVIOUR WITH CHEMICAL AND CORROSIVE AGENTS

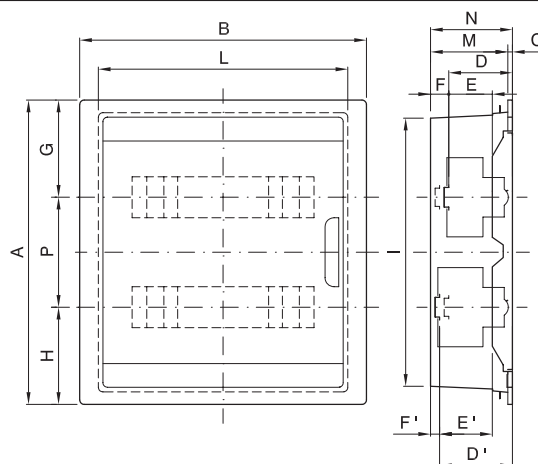
Saline solution	Acids		Bases		Solvents				Mineral oil	UV Rays
	Concentrated	Diluted	Concentrated	Diluted	Hexane	Benzol	Acetone	Ethyl alcohol		
Resistant	Not resistant	Resistant	Resistant	Resistant	Resistant	Not resistant	Not resistant	Limited resistance	Limited resistance	Limited resistance

DIMENSION TABLES

ENCLOSURES



CODE	OVERALL DIMENSIONS				MODULAR ASSEMBLY									BOX OVERALL DIMENSIONS		
	A	B	C	N	D	E	F	G	H	D'	E'	F'	I	L	M	
8M GW 40 655	195	236	8	97	73	49	18	104.5	90.5	81.5	57.5	9.5	162	199.5	89	
12M GW 40 656 GW 40 657	217	326	8	97	73	49	18	115.5	101.5	81.5	57.5	9.5	178	283.5	89	



CODE	OVERALL DIMENSIONS				MODULAR ASSEMBLY									BOX OVERALL DIMENSIONS		
	A	B	C	N	D	E	F	G	H	P	D'	E'	F'	I	L	M
24M GW 40 658 GW 40 659	346	326	8	97	73	49	18	110.5	110.5	125	81.5	57.5	9.5	309	284.5	89
36M GW 40 660 GW 40 661	396	453	15	110	73	49	31	123	123	150	81.5	57.5	22.5	349	402	95

40 CDI RANGE

FLUSH-MOUNTING DISTRIBUTION BOARDS AND ENCLOSURES



TECHNICAL CHARACTERISTICS

40 CD - FLUSH-MOUNTING DECORATIVE PROTECTED ENCLOSURES

TECHNICAL CHARACTERISTICS

Standards: IEC 60670-1; CEI 23-48; CEI 23-49	Material: GW PLAST
Protection class: IP 40	Impact resistance: IK 08
Indirect contact protection: double insulation - □(●)	Abnormal heat and fire resistance: thermo-pressure with ball 70°C
Installation temperature: Max +60°C; Min -15°C	Glow wire test 650°C

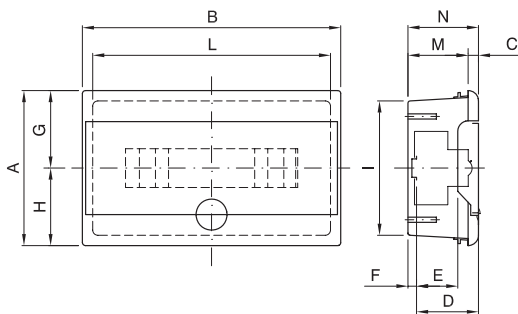
(●) Full insulation in compliance with EN 61140 Standard.

BEHAVIOUR WITH CHEMICAL AND CORROSIVE AGENTS

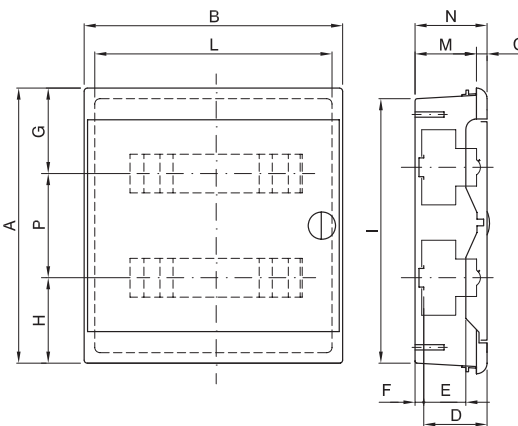
Saline solution	Acids		Bases		Solvents				Mineral oil	UV Rays
	Concentrated	Diluted	Concentrated	Diluted	Hexane	Benzol	Acetone	Ethyl alcohol		
Resistant	Not resistant	Limited resistance	Limited resistance	Not resistant	Not resistant	Not resistant	Not resistant	Limited resistance	Limited resistance	Limited resistance

DIMENSION TABLES

ENCLOSURES



CODE	OVERALL DIMENSIONS				MODULAR ASSEMBLY					BOX OVERALL DIMENSIONS		
	A	B	C	N	D	E	F	G	H	I	L	M
4M GW 40 237 GW 40 238	160	130	11.5	95	75	48	16.5	80	80	142	115	85
8M GW 40 225 GW 40 226	185	230	19.5	86.5	75	49	12	92.5	92.5	168	210	72.5
12M GW 40 227 GW 40 228 GW 40 229 GW 40 230	190	310	19.5	86.5	75	49	12	92.5	95	172	294	72.5



CODE	OVERALL DIMENSIONS				MODULAR ASSEMBLY					BOX OVERALL DIMENSIONS			
	A	B	C	N	D	E	F	G	H	P	I	L	M
24M GW 40 231 GW 40 232 GW 40 233 GW 40 234	330	311	19	98	75	49	18.5	102.5	102.5	125	310	294	80
36M GW 40 239 GW 40 240 GW 40 241 GW 40 242	483	311	19	108	75	48	28	116.5	116.5	125	461	294	90

TECHNICAL CHARACTERISTICS

40 CD - FLUSH-MOUNTING CO-ORDINATING ENCLOSURES

TECHNICAL CHARACTERISTICS

Standards: IEC 60670-1; CEI 23-48; CEI 23-49	Material: GW PLAST
Protection class: IP 40	Impact resistance: IK 08
Indirect contact protection: double insulation - □ (●)	Abnormal heat and fire resistance: thermo-pressure with ball 70°C Glow wire test 650°C
Installation temperature: Max +60°C; Min -15°C	

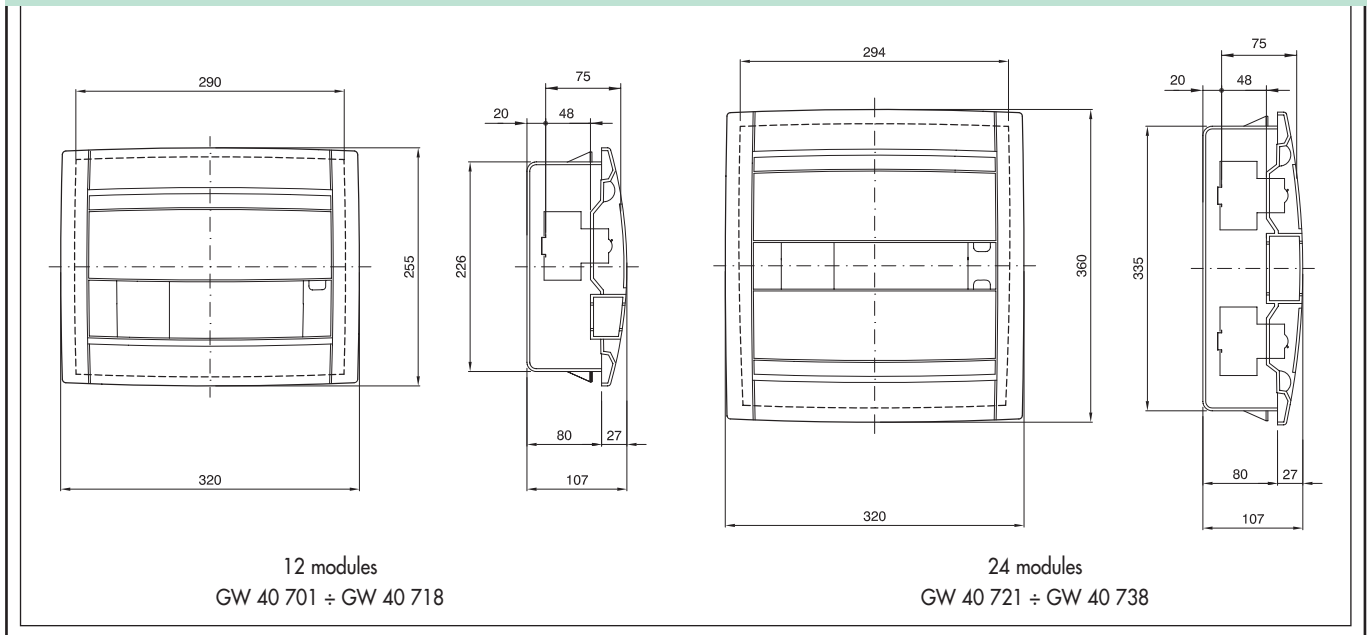
(●) Full insulation in compliance with EN 61140 Standard.

BEHAVIOUR WITH CHEMICAL AND CORROSIVE AGENTS

Saline solution	Acids		Bases		Solvents				Mineral oil	UV Rays
	Concentrated	Diluted	Concentrated	Diluted	Hexane	Benzol	Acetone	Ethyl alcohol		
Resistant	Not resistant	Resistant	Resistant	Resistant	Resistant	Not resistant	Not resistant	Limited resistance	Limited resistance	Limited resistance

DIMENSION TABLES

ENCLOSURES



TECHNICAL CHARACTERISTICS

48 PTC - WATERTIGHT FLUSH-MOUNTING MODULAR ENCLOSURES AND BOARDS

TECHNICAL CHARACTERISTICS

Standards: IEC 60670-1; CEI 23-48; CEI 23-49	Material: GW PLAST
Protection class: IP 55	Impact resistance: IK 08
Indirect contact protection: double insulation - □ (●)	Abnormal heat and fire resistance: thermo-pressure with ball 70°C Glow wire test 650°C
Installation temperature: Max +60°C; Min -15°C	

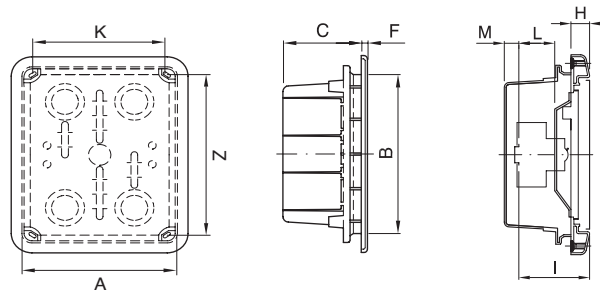
(●) Full insulation in compliance with EN 61140 Standard.

BEHAVIOUR WITH CHEMICAL AND CORROSIVE AGENTS

Saline solution	Acids		Bases		Solvents				Mineral oil	UV Rays
	Concentrated	Diluted	Concentrated	Diluted	Hexane	Benzol	Acetone	Ethyl alcohol		
Resistant	Not resistant	Limited resistance	Limited resistance	Not resistant	Not resistant	Not resistant	Not resistant	Limited resistance	Limited resistance	Limited resistance

DIMENSION TABLES

FLUSH-MOUNTED MODULAR SYSTEM IP 55



CODE		BOX					FRONT			
		A	B	C	K	Z	H	I	L	M
6M	GW 48 681	138	169	70	120	154	27.5	75	47	13
12M	GW 48 682	308	169	70	145	154	28	75	47	13
4M	GW 48 686	398	169	70	145	154	27.5	75	47	13

TECHNICAL CHARACTERISTICS

40 CD - PROTECTED FLUSH-MOUNTING ENCLOSURES FOR PLASTERBOARD WALLS

TECHNICAL CHARACTERISTICS

Standards: IEC 60670-1 type Ha; CEI 23-48; CEI 23-49	Material: door and frame in metal, cover in GW PLAST
Protection class: IP 30	Impact resistance: IK 08
Indirect contact protection: double insulation - □ (●)	Abnormal heat and fire resistance: thermo-pressure with ball 70°C Glow wire test 850°C
Installation temperature: Max +60°C; Min -15°C	

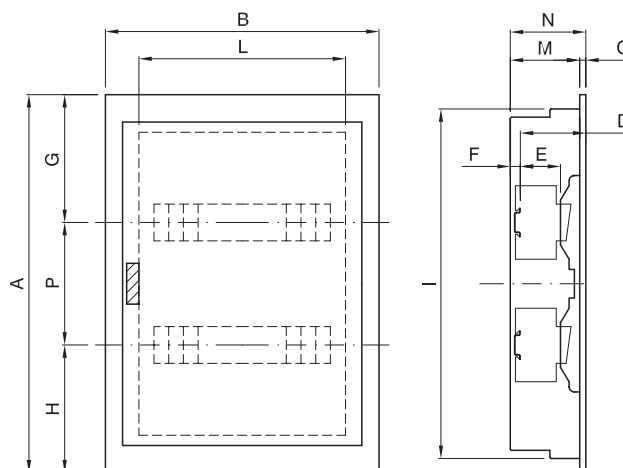
(●) Full insulation in compliance with EN 61140 Standard.

BEHAVIOUR WITH CHEMICAL AND CORROSIVE AGENTS

Saline solution	Acids		Bases		Solvents				Mineral oil	UV Rays
	Concentrated	Diluted	Concentrated	Diluted	Hexane	Benzol	Acetone	Ethyl alcohol		
Limited resistance	Limited resistance	Limited resistance	Not resistant	Not resistant	Resistant	Limited resistance	Not resistant	Resistant	Resistant	Resistant

DIMENSION TABLES

ENCLOSURES



CODE	OVERALL DIMENSIONS			MODULAR ASSEMBLY						FIXING			
	A	B	C	N	D	E	F	G	H	P	I	L	M
12M GW 40 151 GW 40 161	338	335	7.5	92.5	76	48	16.5	188	150	125	303	253	85
24M GW 40 152 GW 40 162	463	335	7.5	92.5	76	48	16.5	188	150	125	428	253	85
36M GW 40 153 GW 40 163	588	335	7.5	92.5	76	48	16.5	188	150	125	553	253	85
48M GW 40 154 GW 40 164	713	335	7.5	92.5	76	48	16.5	188	150	125	678	253	85