

TECHNICAL CHARACTERISTICS

40 CDK - SURFACE-MOUNTING WATERTIGHT ENCLOSURES AND DISTRIBUTION BOARDS

TECHNICAL CHARACTERISTICS

Standards: IEC 60670-1; CEI 23-48; CEI 23-49	Material: GW PLAST
Protection class: IP 65	Impact resistance: IK 09
Indirect contact protection: double insulation - □ (●)	Abnormal heat and fire resistance: thermo-pressure with ball 70°C Glow wire test 650°C
Installation temperature: Max +60°C; Min -25°C	

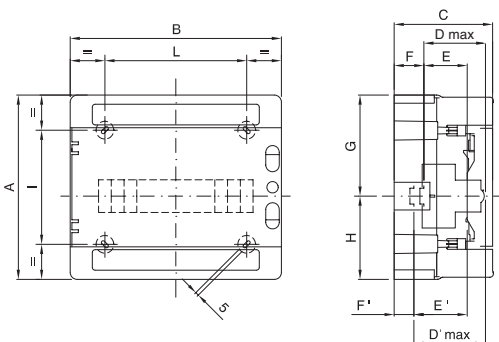
(●) Complete insulation to EN 61140 Standard, obtainable with screwcaps or fixing brackets in resin GW 44 621.

BEHAVIOUR WITH CHEMICAL AND CORROSIVE AGENTS

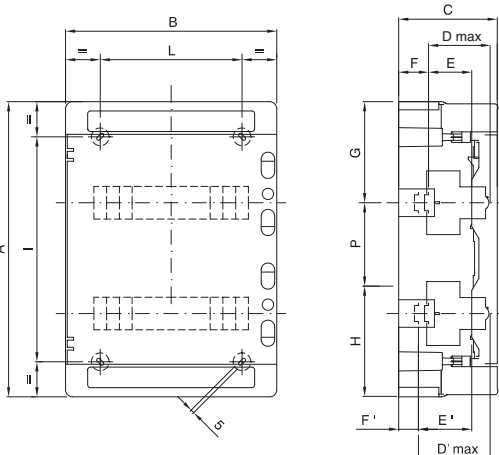
Saline solution	Acids		Bases		Solvents				Mineral oil	UV Rays
	Concentrated	Diluted	Concentrated	Diluted	Hexane	Benzol	Acetone	Ethyl alcohol		
Resistant	Not resistant	Limited resistance	Limited resistance	Not resistant	Limited resistance	Not resistant	Not resistant	Limited resistance	Limited resistance	Resistant

DIMENSION TABLES

ENCLOSURES AND DISTRIBUTION BOARDS



CODE	OVERALL DIMENSIONS				MODULAR ASSEMBLY							FIXING		
	A	B	C	D max	E	F	G	H	D' max	E'	F'	NR	I	L
4 M GW 40 101	210	143	100	75	48	15	105	105	-	-	-	3	156	67
8M GW 40 102	210	215	100	75	48	15	105	105	-	-	-	4	110	115
12M GW 40 103	260	298	140	75	48	48	117.5	142.5	102	75	21	4	161	200
18M GW 40 106	285	410	140	75	48	48	117.5	142.5	102	75	21	4	185	310



CODE	OVERALL DIMENSIONS				MODULAR ASSEMBLY							FIXING			
	A	B	C	D max	E	F	G	H	P	D' max	E'	F'	NR	I	L
24M GW 40 104	420	298	140	75	48	48	147.5	122.5	150	102	75	21	4	320	200
GW 40 105	570	298	140	75	48	48	147.5	122.5	150	102	75	21	4	494	200
36M GW 40 107	463	410	140	75	48	48	154	134	175	102	75	21	4	363	310
54M GW 40 108	655	410	140	75	48	48	162.5	142.5	175	102	75	21	6	293	319
72M GW 40 109	878	410	160	75	48	48	175	155	200 175	102	75	21	6	394	319

TECHNICAL CHARACTERISTICS

40 CD - WALL-MOUNTING WATERTIGHT ENCLOSURES

TECHNICAL CHARACTERISTICS

Standards: IEC 60670-1; CEI 23-48; CEI 23-49	Material: GW PLAST
Protection class: IP 55	Impact resistance: IK 09
Indirect contact protection: double insulation - □ (●)	Abnormal heat and fire resistance: thermo-pressure with ball 70°C Glow wire test 650°C
Installation temperature: Max +60°C; Min -25°C	

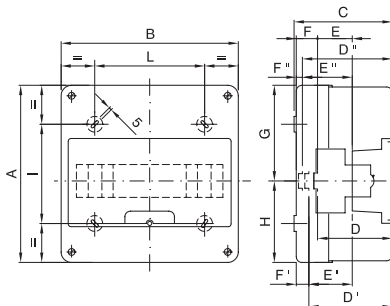
(●) Complete insulation to EN 61140 Standard, obtainable with screwcaps or fixing brackets in resin GW 44 621.

BEHAVIOUR WITH CHEMICAL AND CORROSIVE AGENTS

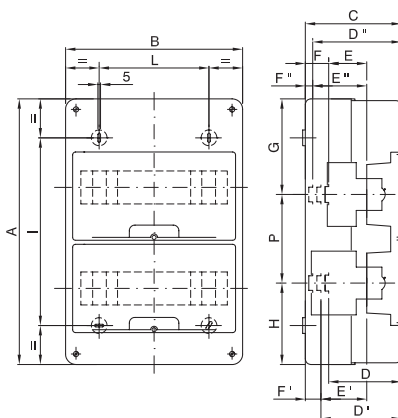
Saline solution	Acids		Bases		Solvents				Mineral oil	UV Rays
	Concentrated	Diluted	Concentrated	Diluted	Hexane	Benzol	Acetone	Ethyl alcohol		
Resistant	Not resistant	Limited resistance	Limited resistance	Not resistant	Limited resistance	Not resistant	Not resistant	Limited resistance	Limited resistance	Resistant

DIMENSION TABLES

ENCLOSURES



CODE	OVERALL DIMENSIONS				MODULAR ASSEMBLY								FIXING				
	A	B	C	D	E	F	G	H	D'	E'	F'	D''	E''	F''	NR	I	L
4M GW 40 001	170	105	98	74	48.5	17.5	85	85	-	-	-	-	-	-	2	115	-
8M GW 40 003	180	180	98	74	48.5	17.5	95	85	-	-	-	-	-	-	3	110	110
12M GW 40 004	250	250	135.5	96	47	32	135	115	106	57	22	117.5	68.5	10.5	4	140	155
GW 40 005																	



CODE	OVERALL DIMENSIONS				MODULAR ASSEMBLY								FIXING					
	A	B	C	D	E	F	G	H	P	D'	E'	F'	D''	E''	F''	NR	I	L
24M GW 40 006	375	250	135.5	96	47	32	135	115	125	106	57	22	117.5	68.5	10.5	4	265	155
GW 40 007																		
36M GW 40 008	400	376	135.5	96	47	32	135	115	150	106	57	22	117.5	68.5	10.5	4	320	295
GW 40 009																		

TECHNICAL CHARACTERISTICS

40 CD - SURFACE-MOUNTING DECORATIVE PROTECTED ENCLOSURES

TECHNICAL CHARACTERISTICS

Standards: IEC 60670-1; CEI 23-48; CEI 23-49	Material: GW PLAST
Protection class: IP 40	Impact resistance: IK 08
Indirect contact protection: double insulation - □ (●)	Abnormal heat and fire resistance: thermo-pressure with ball 70°C
Installation temperature: Max +60°C; Min -25°C	Glow wire test 650°C

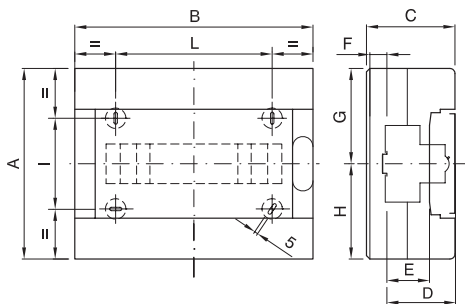
(●) Complete insulation to EN 61140 Standard, obtainable with screwcaps or fixing brackets in resin GW 44 621.

BEHAVIOUR WITH CHEMICAL AND CORROSIVE AGENTS

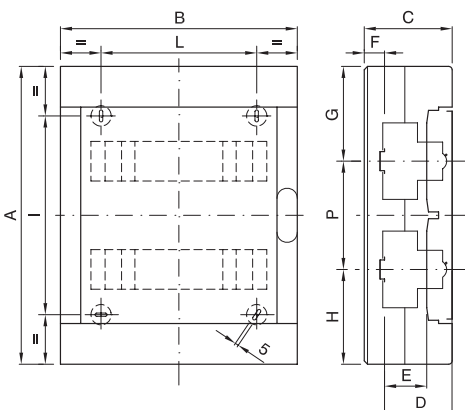
Saline solution	Acids		Bases		Solvents				Mineral oil	UV Rays
	Concentrated	Diluted	Concentrated	Diluted	Hexane	Benzol	Acetone	Ethyl alcohol		
Resistant	Not resistant	Limited resistance	Limited resistance	Not resistant	Not resistant	Not resistant	Not resistant	Limited resistance	Limited resistance	Limited resistance

DIMENSION TABLES

ENCLOSURES



CODE	OVERALL DIMENSIONS			MODULAR ASSEMBLY						FIXING		
	A	B	C	D	E	F	G	H	NR	I	L	
8M GW 40 043	180	200	100	77	47	11.5	90	90	3	82	100	
12M GW 40 044 GW 40 045	225	280	100	77	47	11.5	112.5	112.5	4	107	180	



CODE	OVERALL DIMENSIONS			MODULAR ASSEMBLY								FIXING			
	A	B	C	D	E	F	G	H	P	D'	E'	F'	NR	I	L
24M GW 40 046 GW 40 047	350	280	100	77	47	11.5	112.5	112.5	125	-	-	-	4	232	180
36M GW 40 048 GW 40 049	400	400	130	76	48	37	125	125	150	102.5	74	10.5	4	282	300
54M GW 40 051	550	400	130	76	48	37	125	125	150	102.5	74	10.5	4	432	300
72M GW 40 053	850	400	150	76	48	57	187.5	187.5	150 175	102.5	74	30.5	6	303 303	300

TECHNICAL CHARACTERISTICS

40 CD - PROTECTED SURFACE-MOUNTING ENCLOSURES

TECHNICAL CHARACTERISTICS

Standards: IEC 60670-1; CEI 23-48; CEI 23-49	Material: GW PLAST
Protection class: IP 40	Impact resistance: IK 08
Indirect contact protection: double insulation -□(•)	Abnormal heat and fire resistance: thermo-pressure with ball 70°C
Installation temperature: Max +60°C; Min -15°C	Glow wire test 650°C

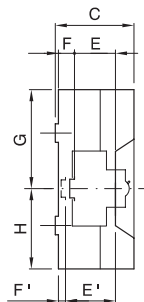
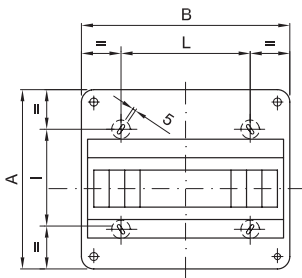
(•) Complete insulation to EN 61140 Standard, obtainable with screwcaps or fixing brackets in resin GW 44 621.

BEHAVIOUR WITH CHEMICAL AND CORROSIVE AGENTS

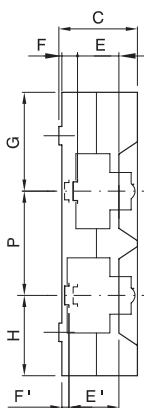
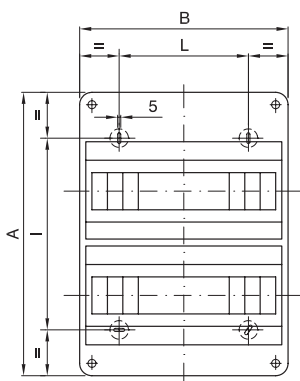
Saline solution	Acids		Bases		Solvents				Mineral oil	UV Rays
	Concentrated	Diluted	Concentrated	Diluted	Hexane	Benzol	Acetone	Ethyl alcohol		
Resistant	Not resistant	Resistant	Resistant	Resistant	Resistant	Not resistant	Not resistant	Limited resistance	Limited resistance	Limited resistance

DIMENSION TABLES

ENCLOSURES



CODE	OVERALL DIMENSIONS			MODULAR ASSEMBLY						FIXING		
	A	B	C	E	F	G	H	E'	F'	NR	I	L
2M GW 40 022	130	45	85	48	14.5	65	65	-	-	2	80	-
4M GW 40 023	130	90	85	48	14.5	65	65	-	-	2	90	-
6M GW 40 024	155	140	85	48	14.5	85	70	-	-	3	90	74
8M GW 40 026	180	180	95	48	23	97	83	58	13	3	110	110
12M GW 40 027	215	250	95	48	23	115	100	58	13	4	120	155



CODE	OVERALL DIMENSIONS			MODULAR ASSEMBLY						FIXING			
	A	B	C	E	F	G	H	P	E'	F'	NR	I	L
24M GW 40 029	340	250	95	48	23	115	100	125	58	13	4	230	155
36M GW 40 031	465	250	95	48	23	115	100	125	58	13	4	355	155