

47 CVX 250 RANGE

SURFACE-MOUNTING DISTRIBUTION BOARDS UP TO 250A



TECHNICAL CHARACTERISTICS

TECHNICAL DATA

Standard: EN 60439-1 and EN 60439-3, EN 62208 CEI 23-48, CEI 23-49	Protection rating: IP 40 with transparent door IP 55 with transparent door
Nominal current (In): up to 250 A	Operating temperature: -5 °C ÷ 40 °C
Nominal operating voltage (Ue): up to 500 V ac	Storage temperature: -25 °C ÷ 55 °C
Nominal insulation voltage (Ui): up to 500 V ac	10/10 mm thick steel enclosure
Nominal pulse-holding voltage (Uimp): 6 kV 1.2/50 µs	15/10 mm thick steel-sheet panels
Short-circuit conditioned nominal current (Icc): 16 kA	12/10 mm thick steel-sheet door
Peak nominal current (Ipk): 32 kA	Hot15/10 mm thick back-mounting plates in hot-galvanized sheet
Short-time nominal current (Icw): 16 kA (1s)	Painting of sheet metal with RAL 7035 grey epoxy-polyester powder
Protection against indirect contacts: Metal casing fitted for earth connection	

FUNCTIONAL CHARACTERISTICS

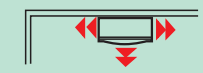
Type of installation: Interiors	Door supplied for later assembly, in a protective package.
Capacity: 24 EN 50022 modules per row	Door can be assembled with reversible opening system (right or left side).
Cable gland plate, colour RAL 7035 grey, made of metal	Fitted for safety lock with key.
Internal pillars in galvanized metal with 25 mm step drilling for the assembly of device installation kit.	

BEHAVIOUR WITH CHEMICAL AND ATMOSPHERIC AGENTS


Saline solution	Acids		Bases		Solvents				Mineral oil	UV rays
	Concentrated	Diluted	Concentrated	Diluted	Esane	Benzol	Acetone	Ethyl alcohol		
Limited resistance	Limited resistance	Limited resistance	Not resistant	Not resistant	Limited resistance	Limited resistance	Not resistant	Resistant	Resistant	Resistant

DISSIPATED POWER


SINGLE DISTRIBUTION BOARD

	Board BxH 600x600 mm					Board BxH 600x800 mm					Board BxH 600x1000 mm					Board BxH 600x1200 mm				
	20	25	30	35	40	20	25	30	35	40	20	25	30	35	40	20	25	30	35	40
Overtemperature Δt (°C)																				
IP Version	Maximum dissipated power (W)																			
IP 40 glass door											94 126 157 192 228					99 130 164 199 234				
IP 55 glass door											87 118 147 179 212					92 121 152 185 217				

SINGLE DISTRIBUTION BOARD WITH CORNER SURFACE

	Board BxH 600x600 mm					Board BxH 600x800 mm					Board BxH 600x1000 mm					Board BxH 600x1200 mm				
	20	25	30	35	40	20	25	30	35	40	20	25	30	35	40	20	25	30	35	40
Overtemperature Δt (°C)																				
IP Version	Maximum dissipated power (W)																			
IP 40 glass door											91 124 155 189 222					98 127 161 196 230				
IP 55 glass door											85 116 144 176 208					91 120 150 182 213				

NICHE INSERTED DISTRIBUTION BOARD

	Board BxH 600x600 mm					Board BxH 600x800 mm					Board BxH 600x1000 mm					Board BxH 600x1200 mm				
	20	25	30	35	40	20	25	30	35	40	20	25	30	35	40	20	25	30	35	40
Overtemperature Δt (°C)																				
IP Version	Maximum dissipated power (W)																			
IP 40 glass door											90 121 151 185 217					95 125 157 191 225				
IP 55 glass door											83 113 140 172 203					88 116 147 178 209				

Dissipated power in compliance with EN 60439-1 Standard.

47 CVX 250 RANGE

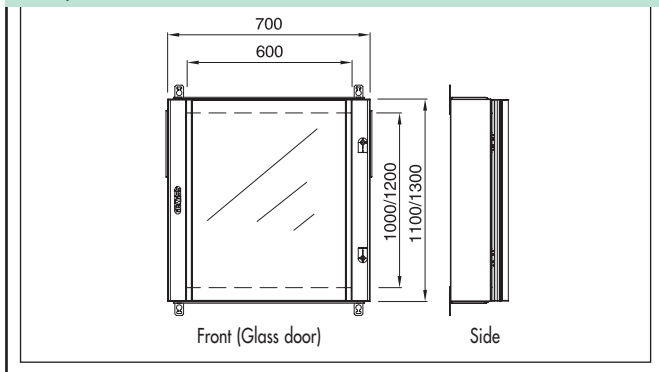
SURFACE-MOUNTING DISTRIBUTION BOARDS UP TO 250A



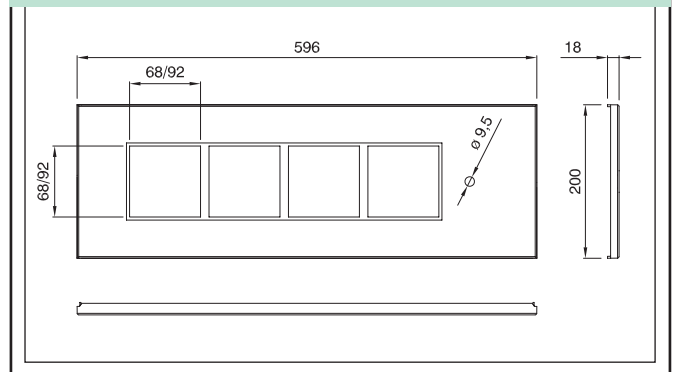
TECHNICAL CHARACTERISTICS

DIMENSIONAL TABLES

IP 40/55 DISTRIBUTION BOARDS

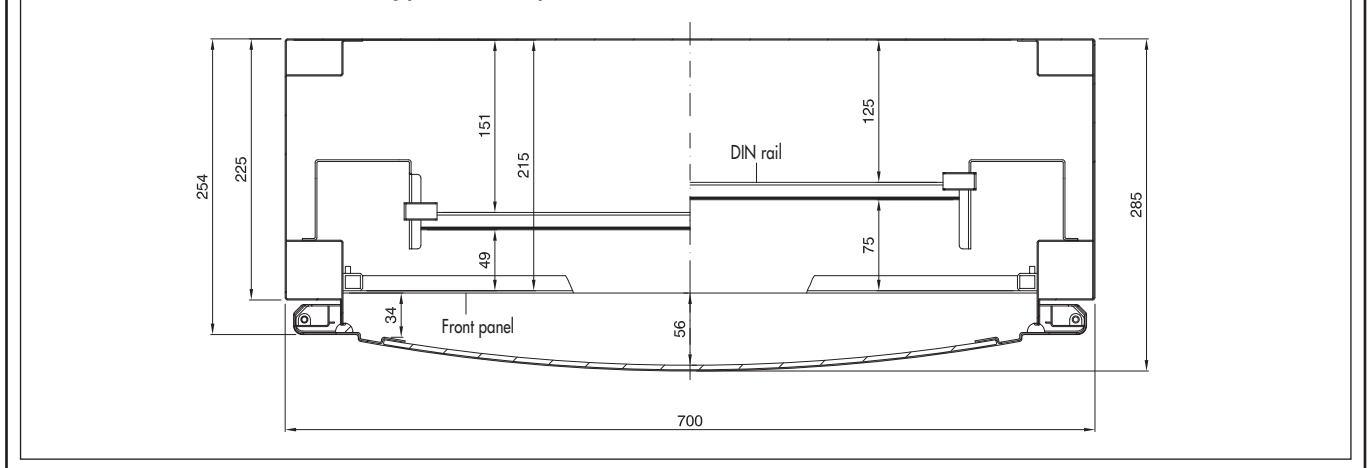


INSTRUMENT PANELS

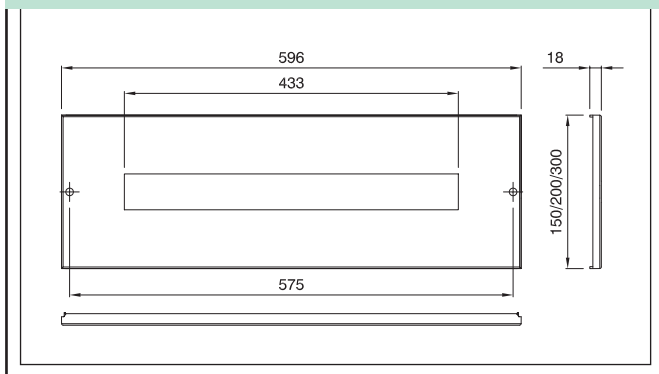


DISTRIBUTION BOARD SECTION

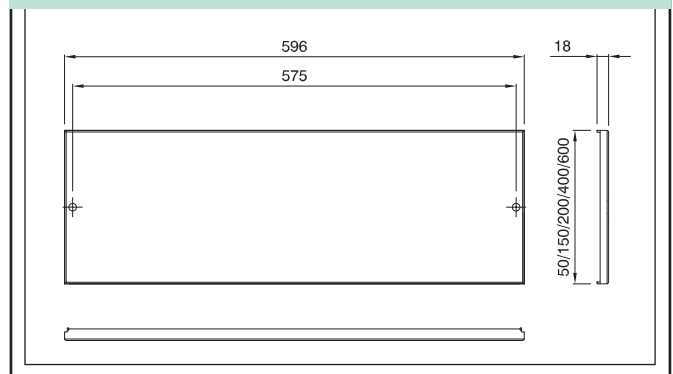
Internal distance between back-mounting plate and front panel 70±170mm



PANELS WITH WINDOWS



SOLID PANELS



BACK-MOUNTING PLATE

Functional dimensions		Effective dimensions	
B (mm)	H (mm)	B ₁ (mm)	H ₁ (mm)
600	200	468	176
600	400	468	376
600	600	468	576

