

47 CVX 160 RANGE

SURFACE-MOUNTING DISTRIBUTION BOARDS UP TO 160A



TECHNICAL CHARACTERISTICS

TECHNICAL DATA

Standards: EN 60439-1 e EN 60439-3, EN 62208 CEI 23-48, CEI 23-49	Protection class: IP 30 without door IP 40 with transparent/solid door IP 55 with transparent/solid door IP 65 with solid door
Nominal current (In): up to 160 A	Operating temperature: -5 °C ÷ 40 °C
Nominal voltage (Ue): up to 500 V ac	Storage temperature: -25 °C ÷ 55 °C
Insulation with nominal voltage (Ui): up to 500 V ac	Steel container 10/10 mm thick
Nominal pulse holding voltage (Uimp): 6 kV 1.2/50 µs	Steel-sheet door 12/10 mm thick
Short-circuit conditioned nominal current (Icc): 10 kA	Hot galvanized sheet back-mounting plates 15/10 mm thick
Peak nominal current (Ipk): 17 kA	Painting of sheet metal with RAL 7035 Grey epoxy-polyester powder
Short-time nominal current (Icw): 10 kA (1s)	
Indirect contact protection: metal enclosure arranged for earthing	

FUNCTIONAL CHARACTERISTICS


Type of installation: Interiors	Galvanized metal internal pillars 25 mm step drilled for the assembly of the equipment installation kit.
Capacity: 24 EN 50022 modules each row	Door (except IP30 version) supplied not mounted, in a protective packaging.
Cable gland plate (except IP65 version) RAL 5003 blue in insulating material	Door assembly (except IP30 version) with reversible opening (right or left). Predisposed for safety lock with key.

BEHAVIOUR WITH CHEMICAL AND CORROSIVE AGENTS


Saline solution	Acids		Bases		Solvents				Mineral oil	UV Rays
	Concentrated	Diluted	Concentrated	Diluted	Hexane	Benzol	Acetone	Ethyl alcohol		
Limited resistance	Not resistant	Limited resistance	Not resistant	Not resistant	Limited resistance	Not resistant	Not resistant	Resistant	Limited resistance	Resistant

DISSIPABLE POWER

DISTRIBUTION SINGLE BOARD

	Distribution board BxH 600x600 mm					Distribution board BxH 600x800 mm					Distribution board BxH 600x1000 mm					Distribution board BxH 600x1200 mm				
	20	25	30	35	40	20	25	30	35	40	20	25	30	35	40	20	25	30	35	40
Overtemperature Δt (°C)	Maximum dissipated power (W)																			
IP Version																				
IP 30 without door	63	83	103	125	148	73	97	120	147	173	78	105	131	160	189	82	108	136	165	194
IP 40 solid door	59	78	98	118	140	69	92	114	139	164	74	99	124	152	179	78	102	129	156	184
IP 40 glass door	58	77	95	116	137	67	90	111	136	160	72	97	121	148	175	76	100	126	153	180
IP 55 solid door	56	74	93	112	133	66	87	108	132	156	70	94	118	144	170	74	97	122	148	175
IP 55 glass door	54	71	89	108	128	63	84	103	127	150	67	91	113	138	163	71	93	117	142	167
IP 65 solid door						60	79	97	119	140	63	85	106	130	154	67	88	110	134	158

DISTRIBUTION SINGLE BOARD WITH CORNER WALL

	Distribution board BxH 600x600 mm					Distribution board BxH 600x800 mm					Distribution board BxH 600x1000 mm					Distribution board BxH 600x1200 mm				
	20	25	30	35	40	20	25	30	35	40	20	25	30	35	40	20	25	30	35	40
Overtemperature Δt (°C)	Maximum dissipated power (W)																			
IP Version																				
IP 30 without door	62	82	102	123	146	71	95	118	144	170	76	103	128	157	185	81	106	134	163	191
IP 40 solid door	58	77	97	116	138	68	90	112	136	161	72	97	121	149	175	77	100	127	154	181
IP 40 glass door	57	76	94	114	135	66	88	109	133	157	70	95	119	145	171	75	98	124	151	177
IP 55 solid door	55	73	92	110	131	65	85	106	130	153	68	92	116	141	167	73	95	120	146	172
IP 55 glass door	53	70	88	106	126	62	82	101	125	147	65	89	111	135	160	70	92	115	140	164
IP 65 solid door						59	77	95	117	137	62	83	104	127	151	66	86	108	132	156

Dissipable powers according to EN 60439-1 Standard.


47 CVX 160 RANGE

SURFACE-MOUNTING DISTRIBUTION BOARDS UP TO 160A



TECHNICAL CHARACTERISTICS

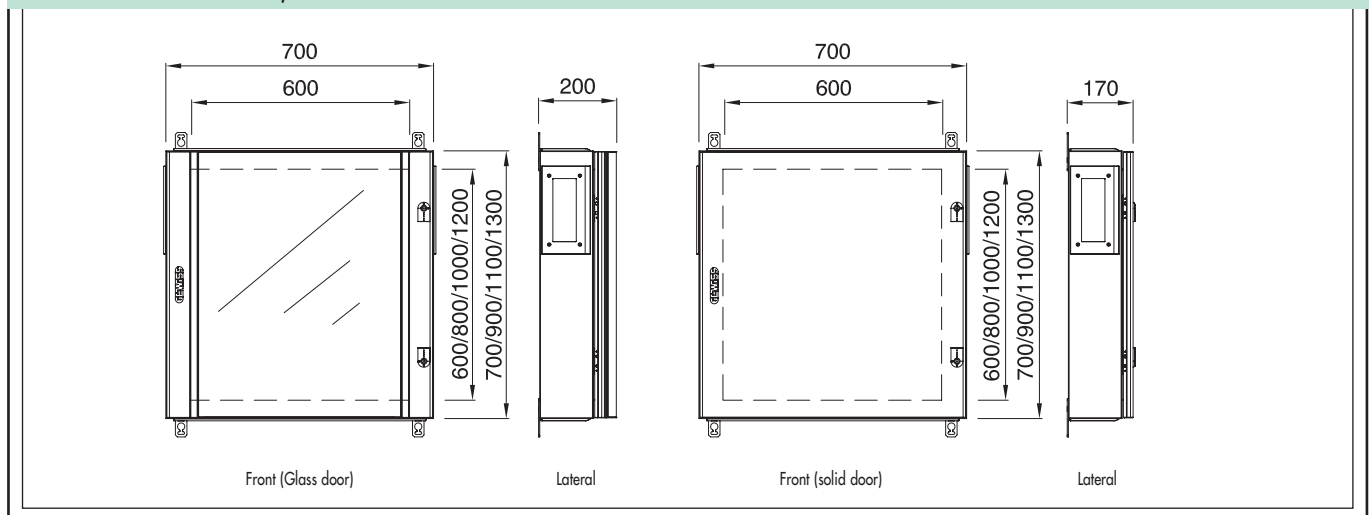
NICHE-INSERTED DISTRIBUTION BOARD

 Overtemperature Δt (°C) IP Version	Distribution board BxH 600x600 mm					Distribution board BxH 600x800 mm					Distribution board BxH 600x1000 mm					Distribution board BxH 600x1200 mm				
	20	25	30	35	40	20	25	30	35	40	20	25	30	35	40	20	25	30	35	40
	Maximum dissipated power (W)																			
IP 30 without door	60	80	99	120	142	70	93	114	140	165	74	100	125	153	181	79	104	131	159	187
IP 40 solid door	56	75	94	113	134	66	88	109	133	157	71	94	118	145	171	75	98	124	150	177
IP 40 glass door	55	74	91	111	131	64	86	106	130	153	69	93	116	142	167	73	96	121	147	173
IP 55 solid door	53	71	89	107	127	63	83	103	126	149	67	90	113	138	163	71	93	117	142	168
IP 55 glass door	51	68	85	103	123	60	80	98	121	143	64	87	108	132	156	68	89	113	137	161
IP 65 solid door						57	75	92	113	134	60	81	101	124	147	64	85	106	129	152

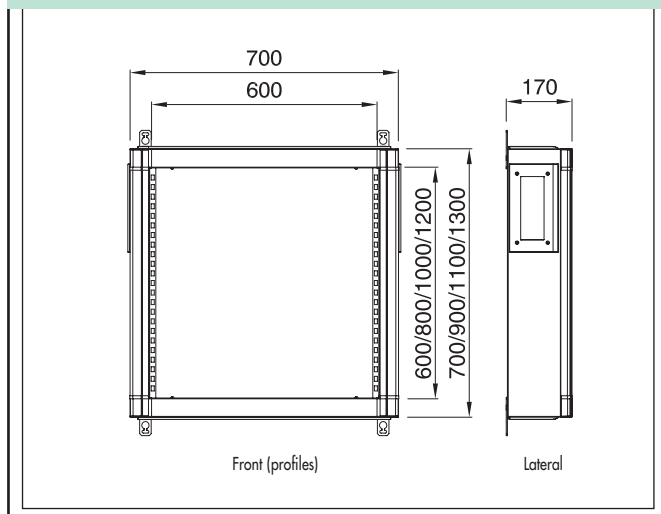
Dissipable powers according to EN 60439-1 Standard.

DIMENSION TABLES

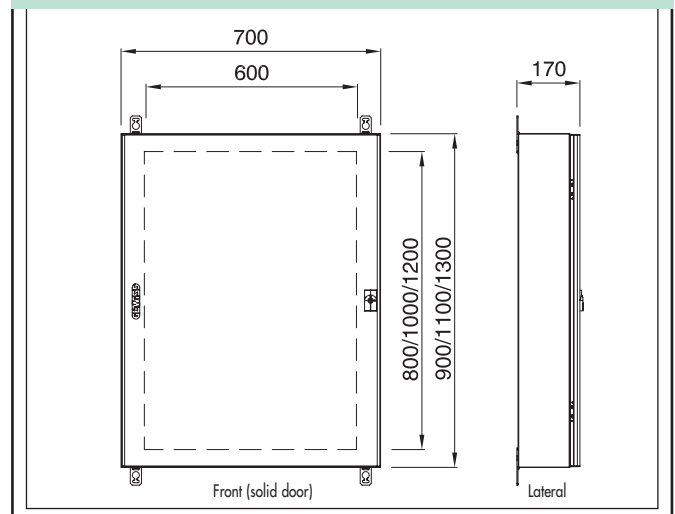
DISTRIBUTION BOARDS IP 40/55



DISTRIBUTION BOARDS IP 30



DISTRIBUTION BOARDS IP 65



47 CVX 160 RANGE

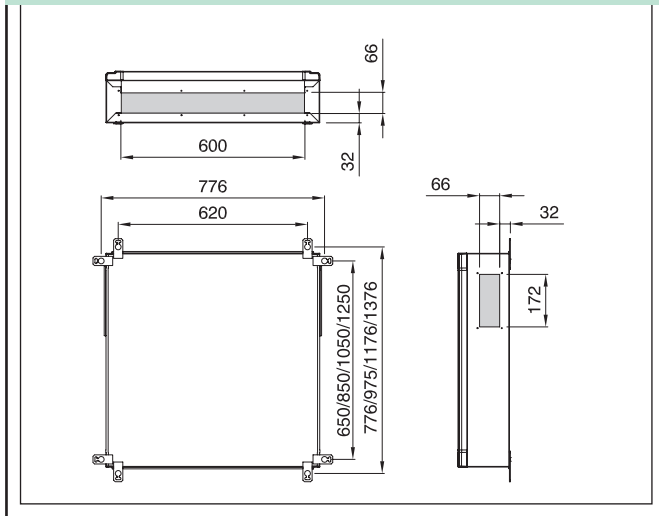
SURFACE-MOUNTING DISTRIBUTION BOARDS UP TO 160A



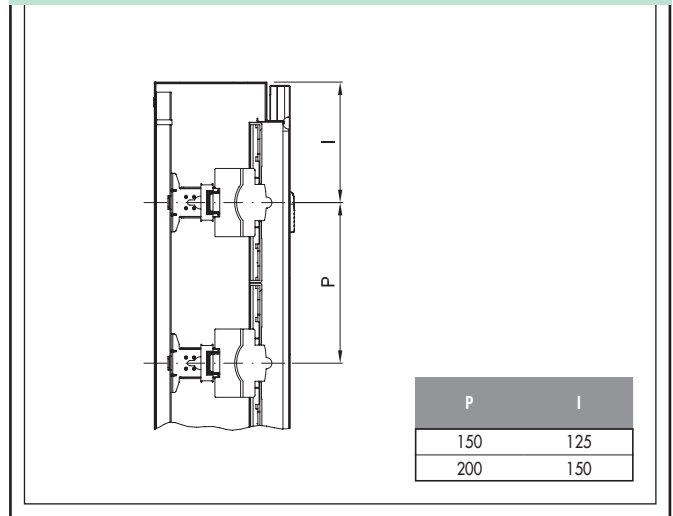
TECHNICAL CHARACTERISTICS

DIMENSION TABLES

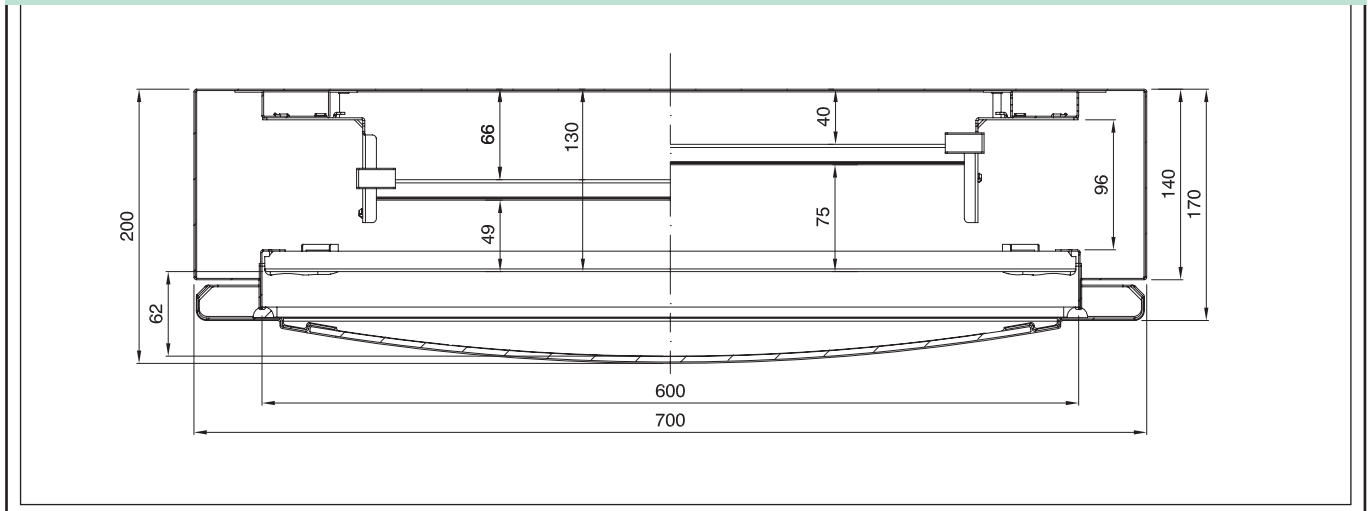
CABLE INPUT (EXCLUDED IP 65 VERSION) AND FIXING CENTRE DISTANCE



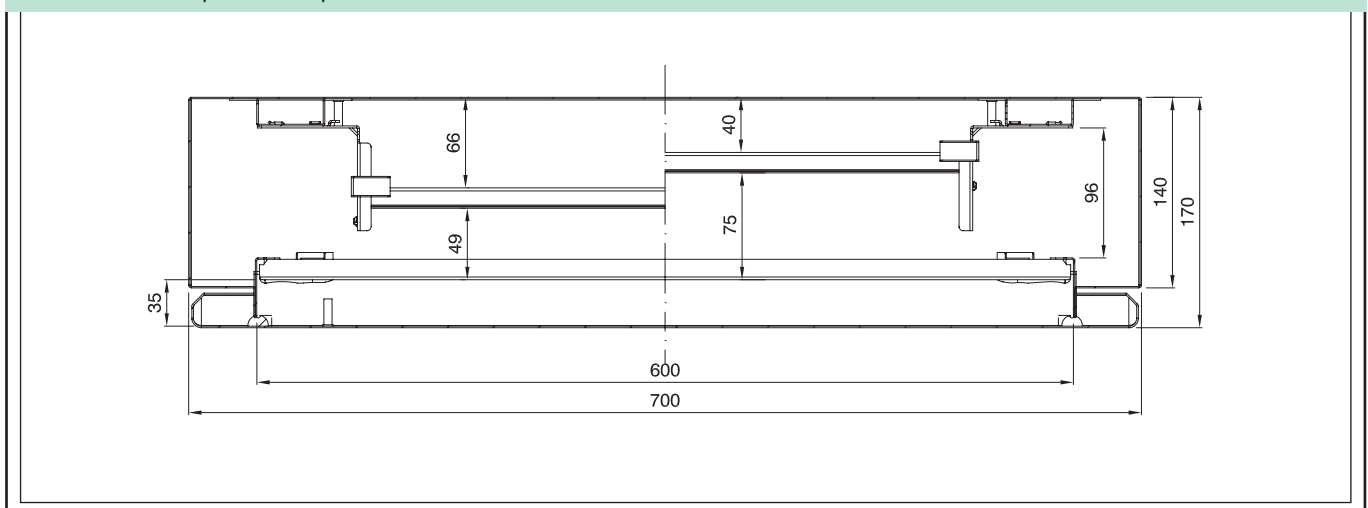
LARGER/SMALLER OVERALL DIMENSIONS DEPENDING ON CENTRE DISTANCE



RAIL ADJUSTMENTS (GLASS DOOR)



RAIL ADJUSTMENTS (SOLID DOOR)



47 CVX 160 RANGE

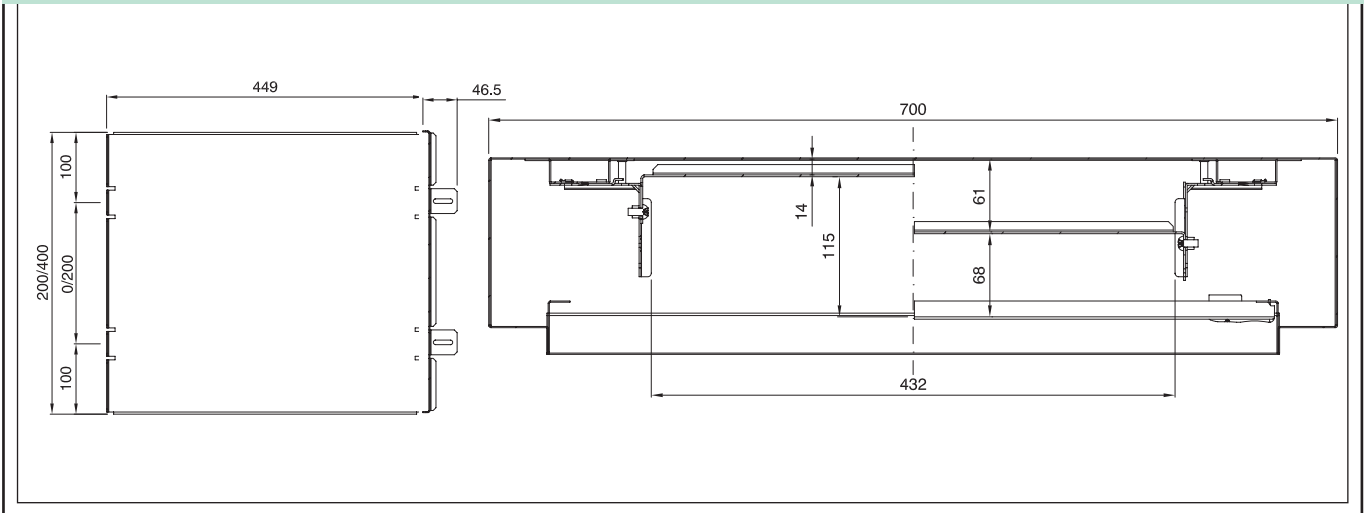
47 CVX 160 RANGE

SURFACE-MOUNTING DISTRIBUTION BOARDS UP TO 160A

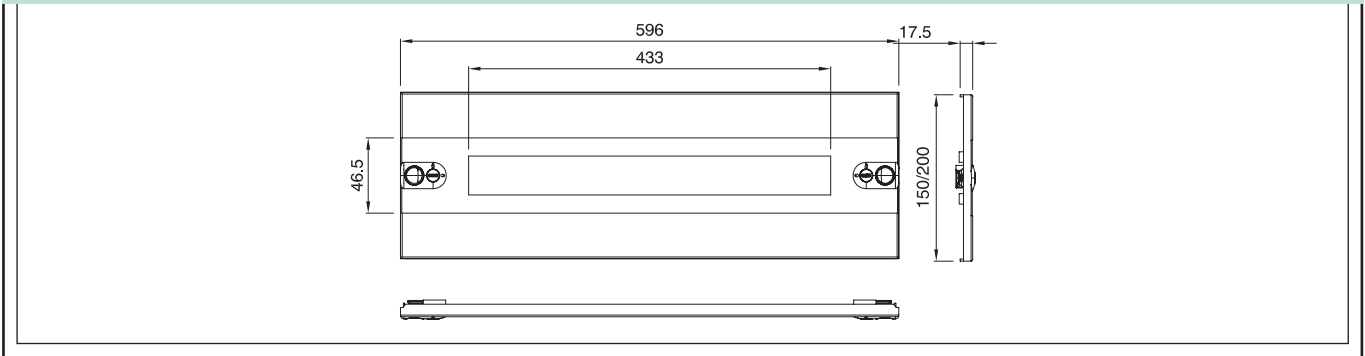


TECHNICAL CHARACTERISTICS

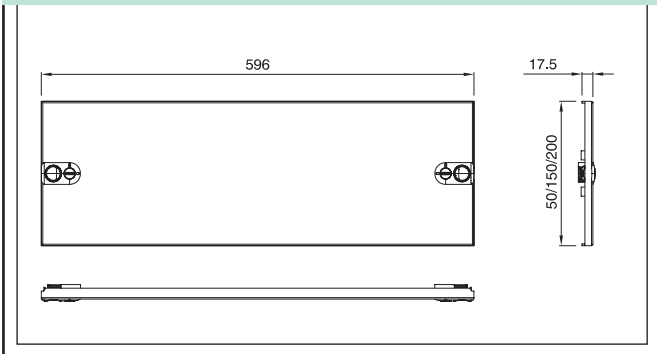
BACK MOUNTING PLATE AND ADJUSTMENT



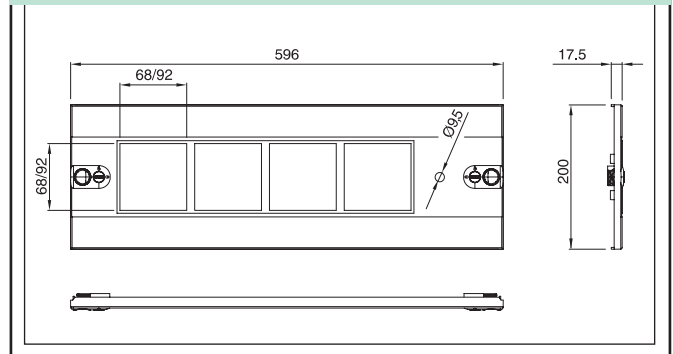
PANELS WITH WINDOW



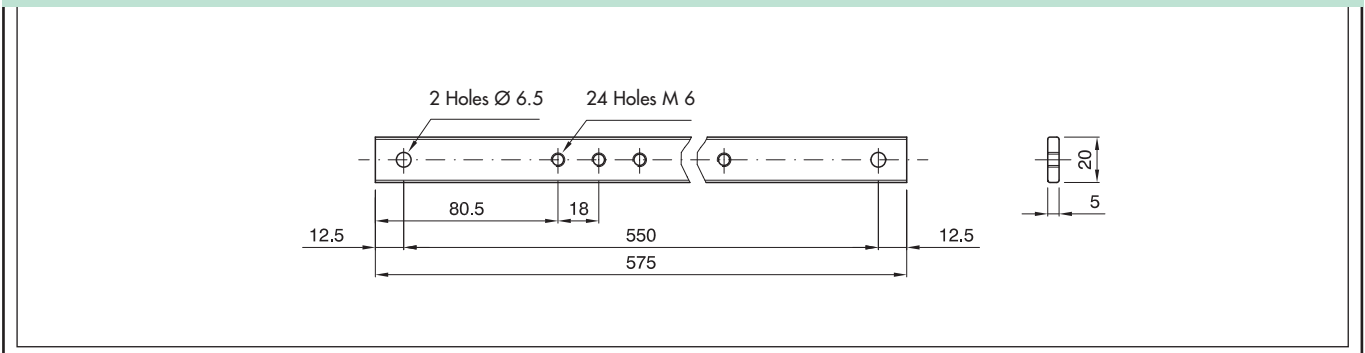
SOLID PANELS



INSTRUMENT PANELS



PANELS WITH WINDOW



47 CVX 160 RANGE