

47 CVX 160i RANGE

FLUSH-MOUNTING DISTRIBUTION BOARDS UP TO 160A



TECHNICAL CHARACTERISTICS

TECHNICAL DATA

Standards: EN 60439-1 e EN 60439-3, EN 62208, CEI 23-48, CEI 23-49

Nominal current (In): up to 160 A

Nominal voltage (Ue): up to 500 V

Insulation with nominal voltage (Ui): up to 500 V

Nominal pulse holding voltage (Uimp): 6 kV 1.2/50 µs

Short-circuit conditioned nominal current (Icc): 10 kA

Peak nominal current (Ipk): 17 kA

Short-time nominal current (Icw): 10 kA (1s)

Indirect contact protection: Metal enclosure arranged for earthing

Protection class: IP 30 without door

IP 40 with transparent/solid door

Operating temperature: -5 °C ÷ 40 °C

Storage temperature: -25 °C ÷ 55 °C

Steel container 10/10 mm thick

Steel-sheet door 12/10 mm thick

Painting of sheet metal with RAL 7035 grey epoxy-polyester powder

FUNCTIONAL CHARACTERISTICS

Type of installation: Interiors

Module capacity 24 EN 50022 each row

Extractable galvanised sheet metal frame with internal pillars with 25 mm pitch drilled for the assembly of the equipment installation kit.

Embedding depth p = 105 mm for installation in hollow walls as well by means of dedicated bracket kit (GW 47 197)

Door (except IP30 version) supplied not mounted, in a protective packaging

Door assembly (except IP30 version) with reversible opening (right or left).

Predisposed for safety lock with key.

Front panel in insulating material (RAL 7035 grey) and quick fit with ergonomic grip

Box with wall-mounting brackets and pre-drilled holes on all sides for cable insertion

BEHAVIOUR WITH CHEMICAL AND CORROSIVE AGENTS

Saline solution	Acids		Bases		Solvents				Mineral oil	UV Rays
	Concentrated	Diluted	Concentrated	Diluted	Hexane	Benzol	Acetone	Ethyl alcohol		
Limited resistance	Limited resistance	Limited resistance	Not resistant	Not resistant	Limited resistance	Limited resistance	Not resistant	Resistant	Resistant	Resistant

DISSIPABLE POWER

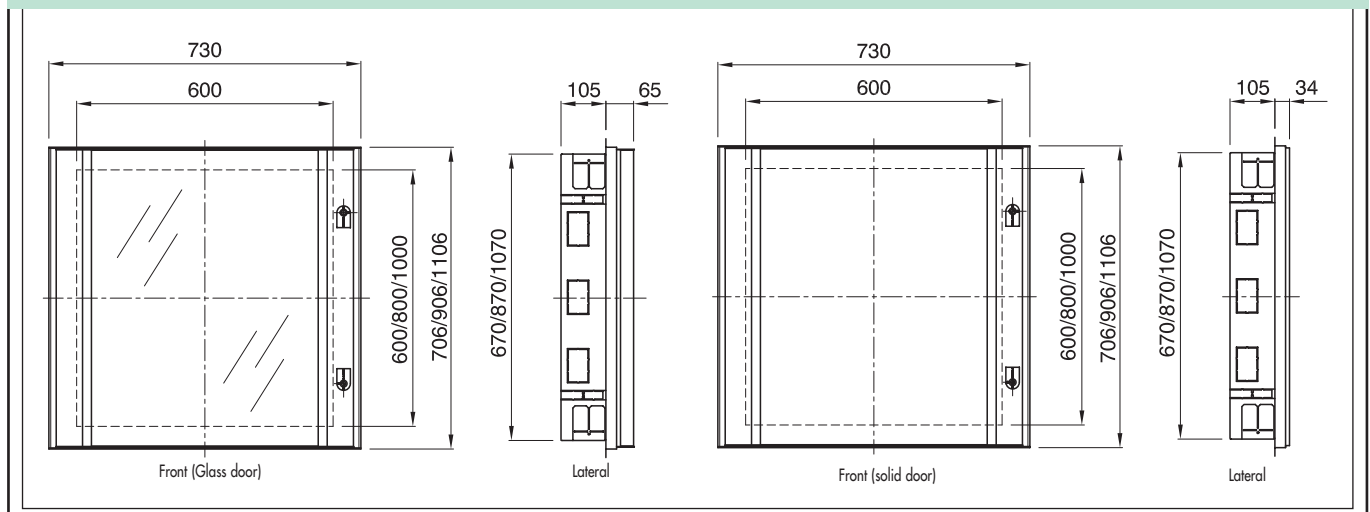
NICHE INSERTED DISTRIBUTION BOARD

Overtemperature Δt (°C)	Board BxH 600x600 mm				Board BxH 600x800 mm				Board BxH 600x1000 mm			
	20	25	30	35	20	25	30	35	20	25	30	35
IP	Maximum dissipated power (W)											
IP 30 without door	60	80	99	120	70	93	114	140	74	100	125	153
IP 40 solid door	53	70	87	105	57	77	97	119	66	87	109	133
IP 40 glass door	55	72	90	109	59	80	100	122	68	90	113	198

Dissipatable power according to EN 60439-1 regulation.

DIMENSION TABLES

DISTRIBUTION BOARDS IP 40



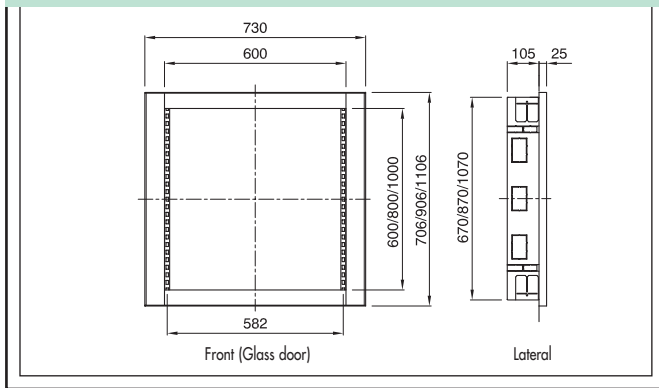
47 CVX 160i RANGE

FLUSH-MOUNTING DISTRIBUTION BOARDS UP TO 160A

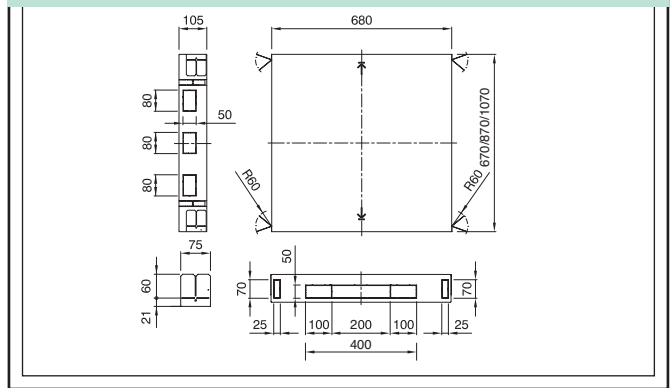


TECHNICAL CHARACTERISTICS

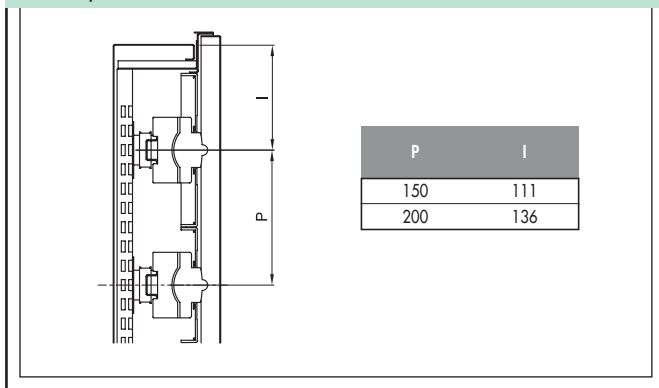
DISTRIBUTION BOARDS IP 30



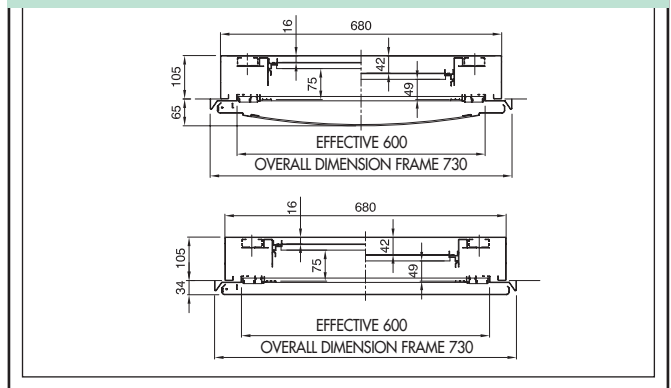
BOX DIMENSIONS



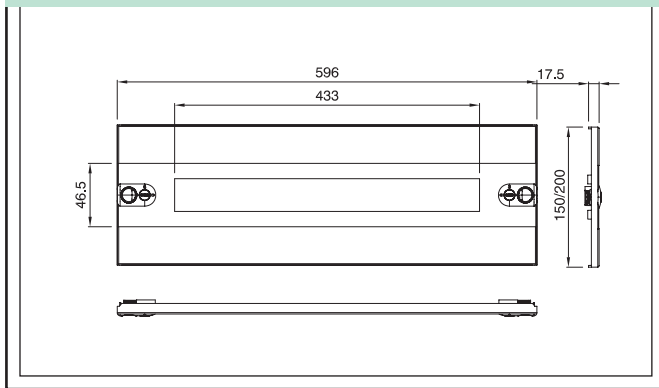
LARGER/SMALLER OVERALL DIMENSIONS DEPENDING ON PITCH



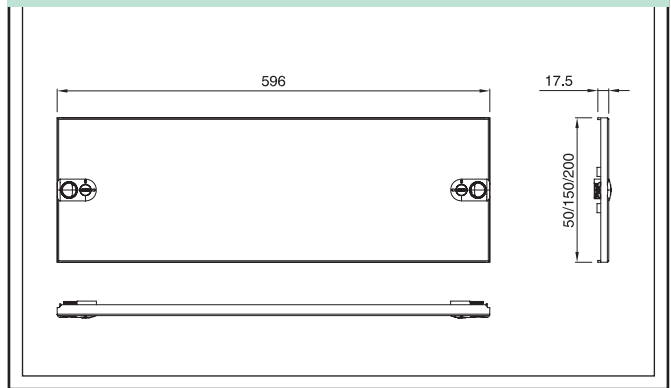
RAIL ADJUSTMENT



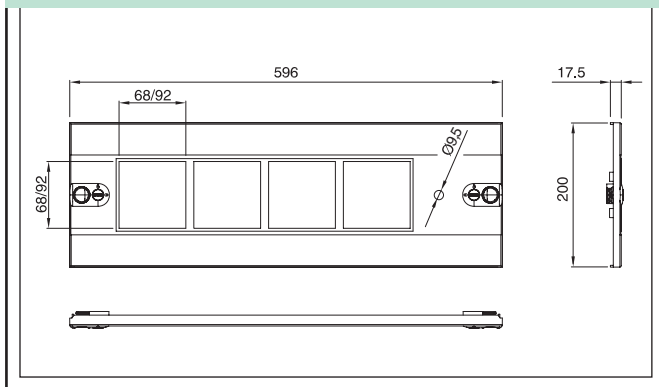
PANELS WITH WINDOW



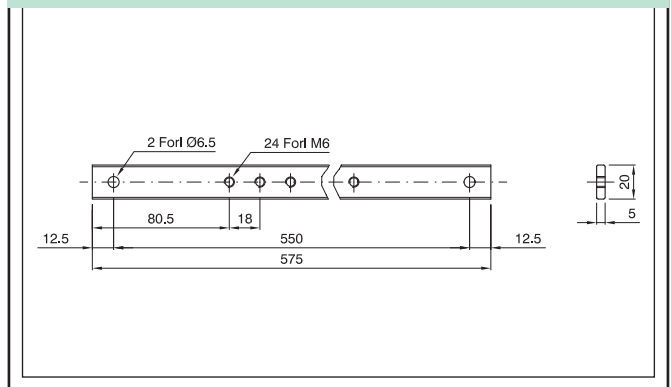
SOLID PANELS



INSTRUMENT PANELS



EARTHING BAR



47 CVX 160i RANGE