

24 SC RANGE

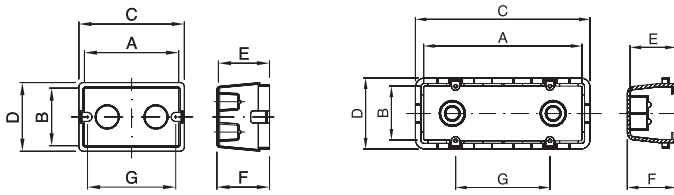
FLUSH AND SURFACE MOUNTING BOXES FOR DOMESTIC RANGES



TECHNICAL CHARACTERISTICS

DIMENSION TABLES

SURFACE-MOUNTING BOXES

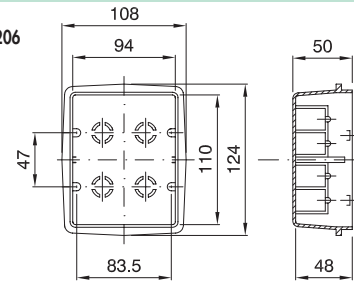


3 GANG GW 24 203 GW 24 204 GW 24 303
4 GANG GW 24 205 GW 24 304

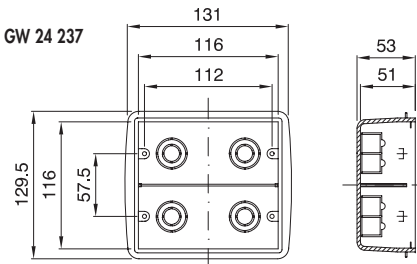
6 GANG GW 24 236 GW 24 306

CODE	GW 24 203	GW 24 204	GW 24 303	GW 24 205	GW 24 304	GW 24 236	GW 24 306
	3 GANG	3 GANG	3 DOMOBOX GANG	4 GANG	4 DOMOBOX GANG	6 GANG	6 DOMOBOX GANG
A	94.5	94	96	118	121	170	171
B	58	58	58	58	58	60	60
C	104	104	119	128	144	186	194
D	68	66	80	68	85	76	90
E	49	47	49	49	49	51	49
F	50.5	48	50.5	50.5	50.5	53	50.5
G	83.5	83.5	83.5	108.5	108.5	100	100

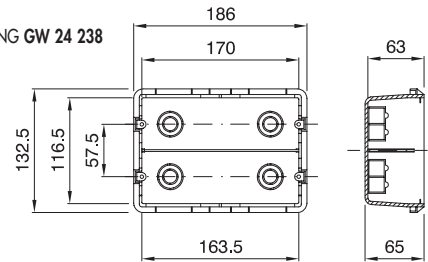
6 GANG GW 24 206



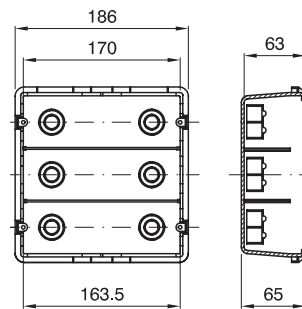
8 GANG GW 24 237



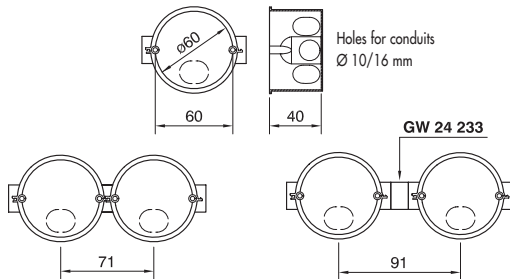
12 GANG GW 24 238



18 GANG GW 24 239



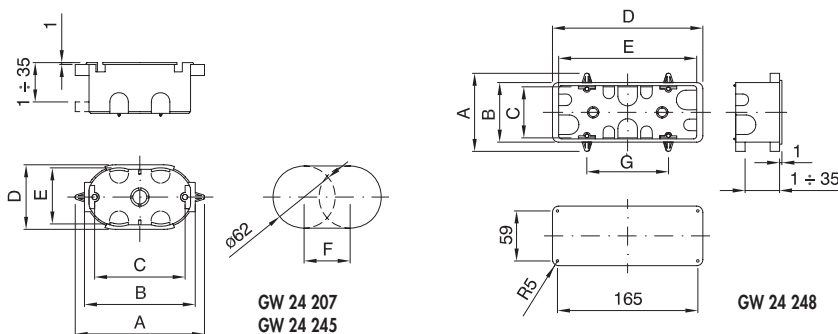
ROUND GW 24 232



SQUARE GW 24 231



FLUSH-MOUNTING BOXES FOR LIGHT WALLS WITH AIR GAP



CODE	GW 24 207	GW 24 245	GW 24 248
	3 GANG	4 GANG	6 GANG
A	130.5	156	93
B	110	137	72
C	83.5	108.5	60
D	64	66	185
E	62	62	170
F	46	71	-
G	-	-	100

24 SC RANGE

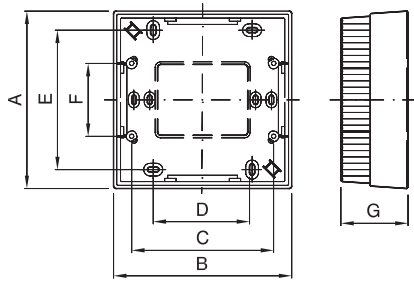
FLUSH AND SURFACE MOUNTING BOXES FOR DOMESTIC RANGES



TECHNICAL CHARACTERISTICS

PLAYBUS SURFACE-MOUNTING BOXES

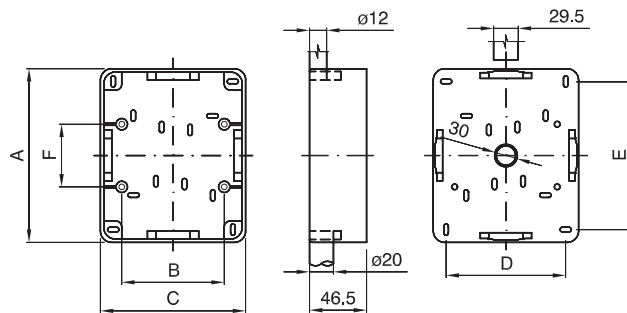
GW 32 431 - GW 32 432
GW 32 436 - GW 32 437



CODE	GW 32 431	GW 32 436
	GW 32 432	GW 32 437
	3 GANG	4+4 GANG
A	80	140
B	116	140.6
C	83.5	108.5
D	90	78
E	50	110
F	-	57.5
G	50	53

COMPACT SURFACE-MOUNTING WALLS

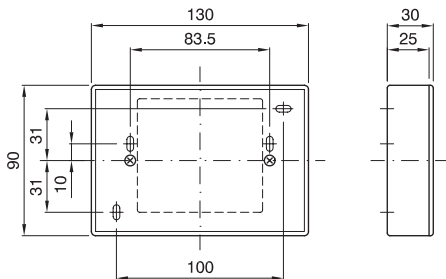
GW 24 006
GW 24 007



CODE	GW 24 006	GW 24 007
	3 GANG	3+3 GANG
A	83	136
B	83.5	83.5
C	113	113
D	96	96
E	65	119
F	-	51

DEEP LIDS

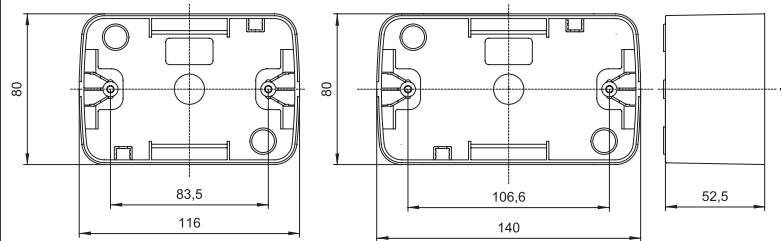
GW 24 227
GW 24 228



TOP SYSTEM SURFACE-MOUNTING BOXES

GW 22 471

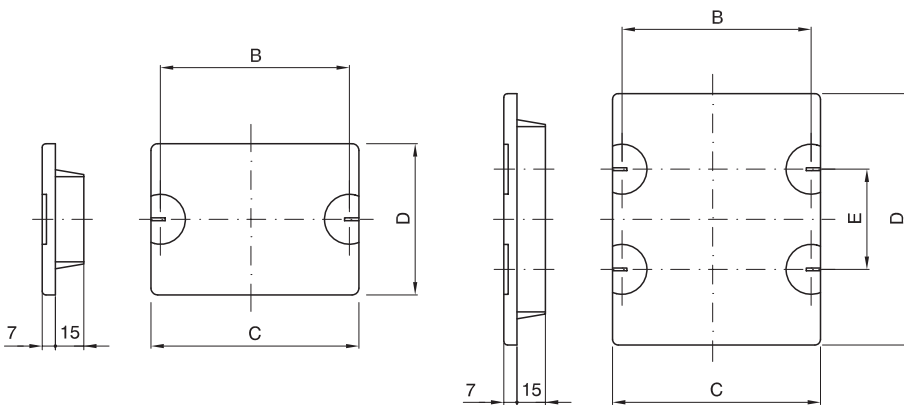
GW 22 472



BLANK PLATES

GW 24 211 - GW 24 212
GW 24 213 - GW 24 214

GW 24 215 - GW 24 216



CODE	GW 24 211	GW 24 213	GW 24 215
	GW 24 212	GW 24 214	GW 24 216
	3 GANG	4 GANG	3+3 GANG
B	83.5	108.5	83.5
C	110	134	110
D	80	80	133
E	-	-	51