

TECHNICAL CHARACTERISTICS

CHARACTERISTICS

Modular surface-mounting enclosures for:

- Devices in the SYSTEM Range
- Buttons Ø 22 in the 74 PS Range (EUROBOX Cat.)
- Modular devices for EN 50022 rail in the 90 Range (EURODIN Cat.).

IP 40 and IP 55 versions for installation in ordinary environments or external locations. The possibility of placing several enclosures alongside each other horizontally and laterally makes it possible to accomplish customized layouts that adapt in a versatile manner to a great number of different requirements. The range also includes complete devices and enclosures for gardens in the pole mounted and bracket version.

REFERENCE STANDARDS AND TECHNICAL DATA

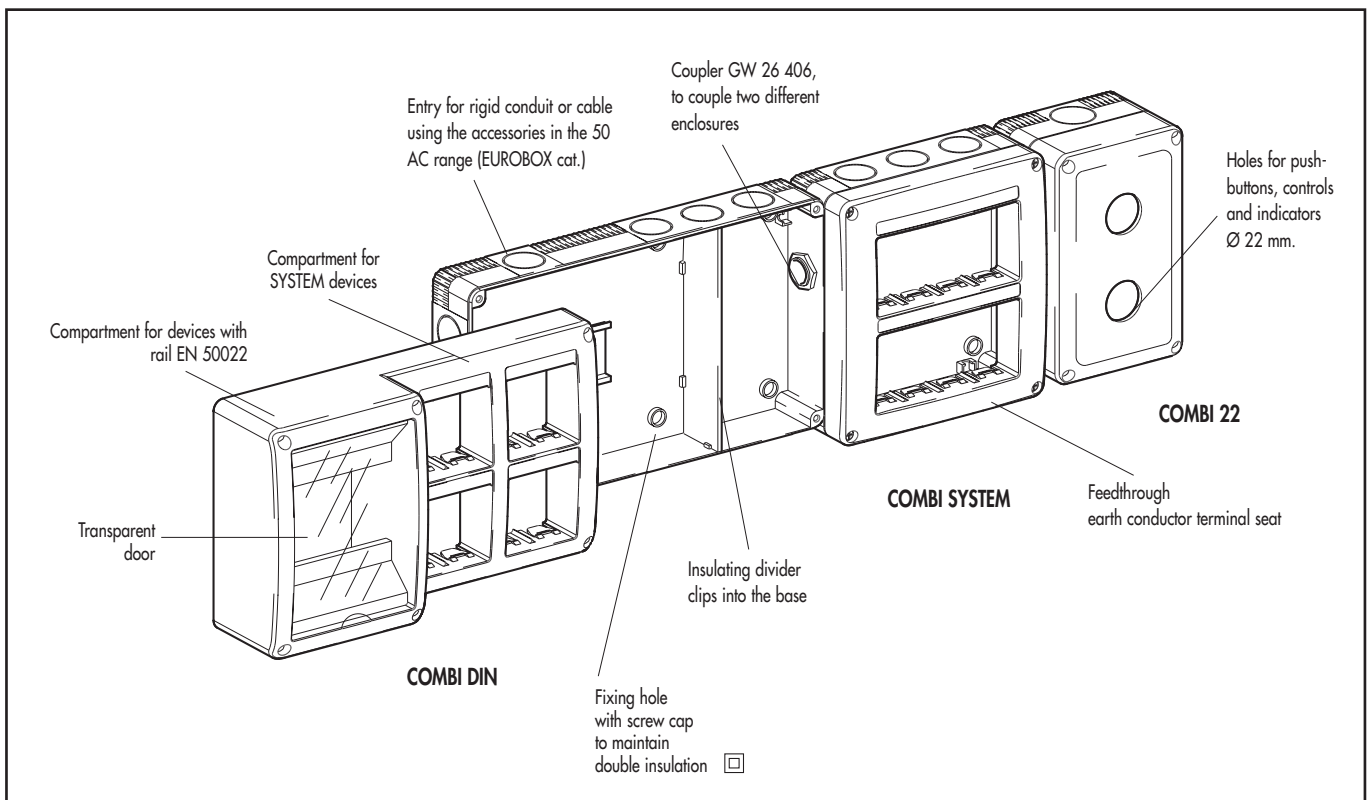
Products	Reference standards	IP Protection rating	Protection against indirect contacts	Installation temperature		Thermo-pressure with ball	Glow Wire Test
				Minimum	Maximum		
COMBI SYSTEM enclosures	CEI 23-48	IP 40 - IP 55	<input type="checkbox"/>	-25°C	+60°C	70°C	650°C
COMBI 22 enclosures		IP 66	<input type="checkbox"/>			70°C	650°C
COMBI DIN enclosures	IEC 60670	IP 40	<input type="checkbox"/>			70°C	650°C
Garden enclosures		IP 55	<input type="checkbox"/>			70°C	650°C

BEHAVIOUR WITH CHEMICAL AND ATMOSPHERIC AGENTS






Agent	Water	Saline solution	Acids		Bases		Solvents				Mineral oil	UV rays
			Concentrated	Diluted	Concentrated	Diluted	Hexane	Benzol	Acetone	Ethyl alcohol		
Resistance*	Resistant	Resistant	Limited resistance	Resistant	Resistant	Resistant	Limited resistance	Not resistant	Not resistant	Not resistant	Limited resistance	Resistant

* The resistances given are understood to hold for ambient temperatures not higher than 40°C.

CONSTRUCTION FEATURES



FIELDS OF USE

RECOMMENDED ENCLOSURES							
Environment or zone (examples)	Law / CEI Guidelines	Recommended IP rating	COMBI SYSTEM IP 40	COMBI DIN IP 40	COMBI SYSTEM IP 55	COMBI 22 IP 66	COMBI IN IP 55*
Domestic or similar rooms							
Undecorated rooms (e.g. cellars, basements, lofts)	64-8	IP 40	●	●	●		
Technical rooms Heating system (35 Kw)	64-8/7	IP 44			●	●	●
air conditioning/water system	44-5	IP 44			●	●	●
Indoor garages and car parks (9 parking spaces)	64-8	IP 40	●		●	●	●
Outdoor	68-8	IP 44			●	●	●
Rooms with baths or showers	64-8 section 701	IP 44			●		
Swimming pools (zone 1 and 2) - Fountains	64-8 section 702	IP 55			●		●
Places with a higher risk in the event of fire	64-8 section 751	IP 40	●	●	●		●
Industrial facilities							
Mechanical engineering industry	64-8	IP 55			●	●	●
Plastics industry	64-8	IP 55			●	●	●
Paper, wood, cellulose industry	64-8	IP 40 - 44	●	●	●	●	●
Textiles industry	64-8	IP 55			●	●	●
Food industry	64-8	IP 55			●	●	●
Refineries	31-33 / 64-8	IP 44			●	●	●
Cement works	64-8	IP 44			●	●	●
Public buildings							
Lecture halls	64-8 / 64-52	IP 40	●	●	●		
Libraries and museums	64-8	IP 40	●	●	●		
Administrative offices / facilities	64-8	IP 40	●	●	●		
Retail outlets							
Warehouses, shopping malls, shops	64-8 / 64-51	IP 40	●	●	●		●
Cafés, pubs	64-8 / 64-51	IP 40	●	●	●		●
Laundries	64-8 / 64-51	IP 55			●	●	●
Medical facilities							
Surgery	64-8 section 710 / 64-56	IP 40	●		●		
	64-8 section 710 / 64-56	IP 40	●		●		
Rooms for surgical operations and anaesthesia	64-8 section 710 / 64-56	IP 44			●		

27 COMBI RANGE

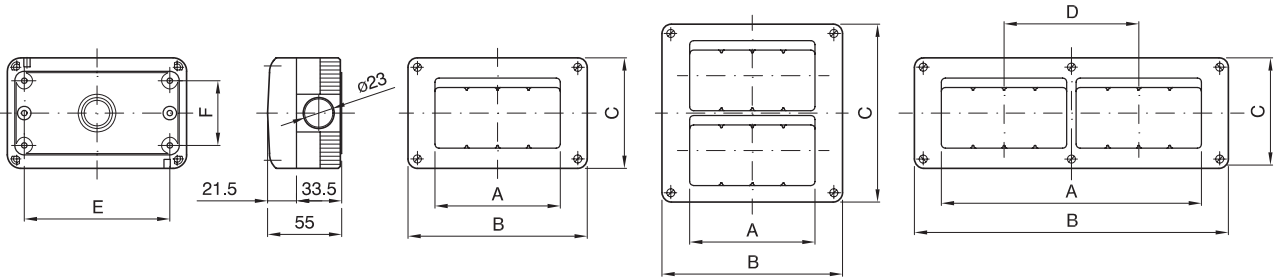
SURFACE-MOUNTING ENCLOSURES AND MODULAR COMPONENTS



TECHNICAL CHARACTERISTICS

DIMENSION TABLES

COMBI SYSTEM 40



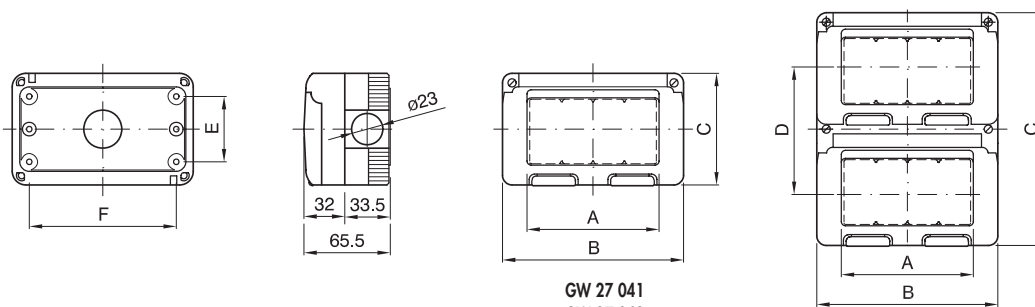
GW 27 001
GW 27 002
GW 27 003
GW 27 004

GW 27 021
GW 27 022
GW 27 023
GW 27 024

GW 27 005
GW 27 006
GW 27 007
GW 27 008

CODE	GW 27 001	GW 27 002	GW 27 003	GW 27 004	GW 27 005	GW 27 006	GW 27 007	GW 27 008	GW 27 021	GW 27 022	GW 27 023	GW 27 024
A	1 MODULE SYSTEM	2 MODULES SYSTEM	3 MODULES SYSTEM	4 MODULES SYSTEM	6 (3 MOD. x 2) HORIZONTAL	8 (4 MOD. x 2) HORIZONTAL	12 (4 MOD. x 3) HORIZONTAL	16 (4 MOD. x 4) HORIZONTAL	4 (2 MOD. x 2) VERTICAL	6 (2 MOD. x 3) VERTICAL	8 (4 MOD. x 2) VERTICAL	12 (4 MOD. x 3) VERTICAL
B	66	66	99	132	198	231	330	429	82	82	132	132
C	82	82	82	82	82	82	82	82	132	198	132	198
D	-	-	-	-	1 STEP	1 STEP	2 STEPS	3 STEPS	1 STEP	2 STEPS	1 STEP	2 STEPS
E	44	44	75	110	175	208	307	406	48	48	110	110
F	48	48	48	48	48	48	48	48	110	175	98	164

COMBI SYSTEM 55



GW 27 041
GW 27 042
GW 27 043
GW 27 044
GW 27 040

GW 27 051
GW 27 052

CODE	GW 27 041	GW 27 042	GW 27 043	GW 27 044	GW 27 051	GW 27 052	GW 27 040
A	1 MODULE SYSTEM	2 MODULES SYSTEM	3 MODULES SYSTEM	4 MODULES SYSTEM	8 (4 MOD. x 2) VERTICAL	12 (4 MOD. x 3) VERTICAL	JUNCTION BOX
B	66	66	99	132	132	132	132
C	82	82	82	82	170	258	82
D	-	-	-	-	1 STEP	2 STEPS	-
E	48	48	48	48	136	224	48
F	44	44	75	110	110	110	110

27 COMBI RANGE

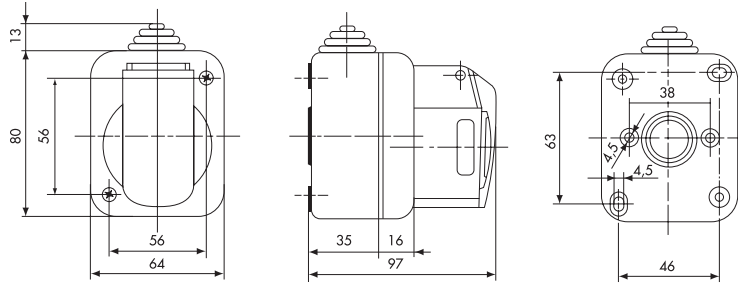
SURFACE-MOUNTING ENCLOSURES AND MODULAR COMPONENTS



TECHNICAL CHARACTERISTICS

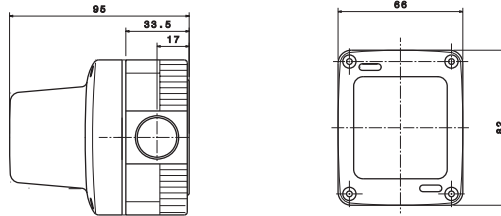
COMPLETE DEVICES

SURFACE MOUNTING INDUSTRIAL OUTLETS IN COMPLIANCE WITH IEC309 STANDARDS- GREY RAL7035 - IP44



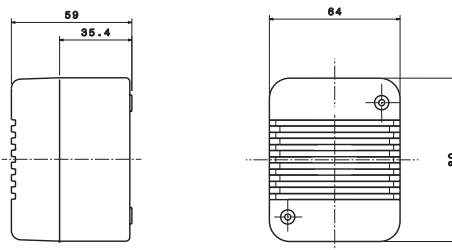
GW 26 222 - GW 26 223

INDICATOR LIGHTS MAX 15W AND ELECTRONIC FLASHERS MAX 25W - GREY RAL7035 - IP55



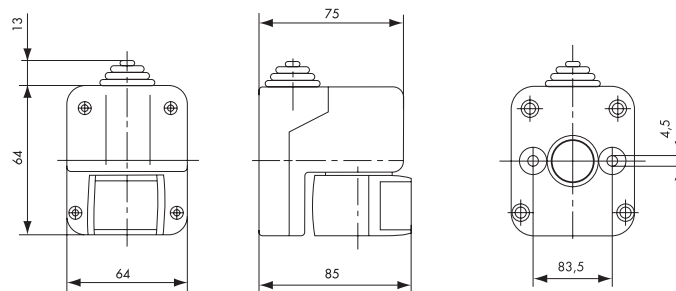
GW 27 415 - GW 27 416 - GW 27 417 - GW 27 418 - GW 27 419
GW 27 421 - GW 27 422 - GW 27 423 - GW 27 424

SIGNAL BUZZERS - GREY RAL7035 - IP40



GW 26 417 - GW 26 427

INFRARED MOVEMENT DETECTOR WITH ADJUSTABLE DIRECTION AND WITH PHOTOELECTRIC SENSOR 230V 50/60Hz- GREY RAL7035 - IP54



GW 26 418

27 COMBI RANGE

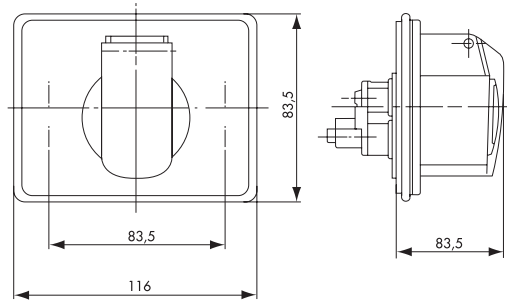
27 COMBI RANGE

SURFACE-MOUNTING ENCLOSURES AND MODULAR COMPONENTS



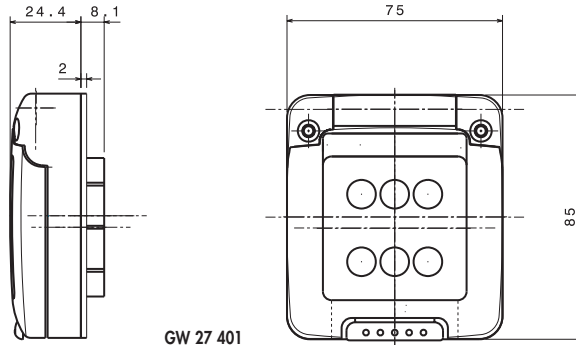
TECHNICAL CHARACTERISTICS

INDUSTRIAL OUTLETS IN COMPLIANCE WITH IEC309 FOR INSTALLATION IN RECTANGULAR BOXES FOR FLUSH-MOUNTING GW 24 203 / GW 24 303 - GREY RAL 7035 - IP44



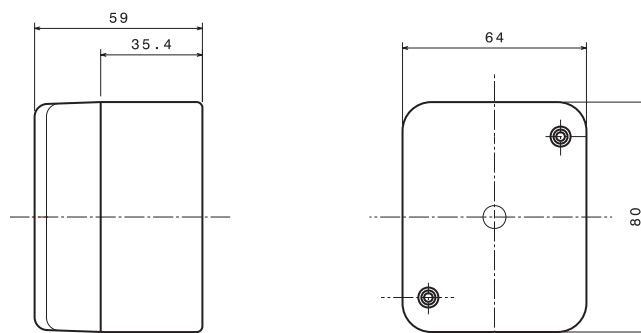
GW 26 420 - GW 26 421

2 -GANG SYSTEM WATERTIGHT COVER FOR APPLICATIONS ON Q-DIN DISTRIBUTION BOARDS, JUNCTION BOXES, PTC, 66 AND Q-BOX RANGE FLANGED LIDS AND PANELS - GREY RAL 7035 - IP55



GW 27 401

LIGHT SENSITIVE DETECTORS WITH RELAY OUTPUT - GREY RAL 7035 - 230V 50Hz - IP55



GW 26 419

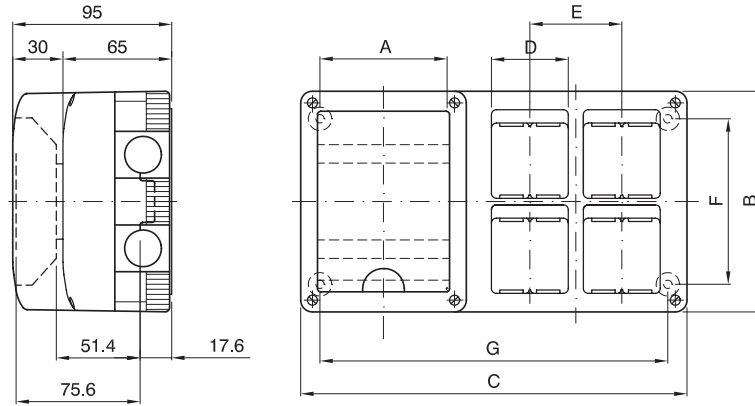
27 COMBI RANGE

SURFACE-MOUNTING ENCLOSURES AND MODULAR COMPONENTS



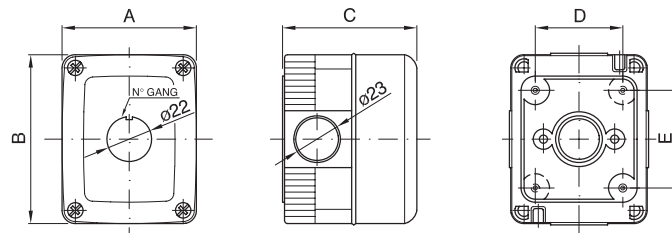
TECHNICAL CHARACTERISTICS

COMBI DIN



CODE	GW 27 071	GW 27 072	GW 27 073
A	2 MOD. EN 50022	4 MOD. EN 50022	8 MOD. EN 50022
B	132	132	132
C	132	231	429
D	4 (N. 2 MOD. x 2)	8 (N. 2 MOD. x 4)	16 (N. 4 MOD. x 4)
E	-	1 STEP	1 STEP
F	98	98	98
G	110	209	407

COMBI 22



CODE	NO. GANG	A	B	C	D	E	NO. KNOCKOUTS
GW 27 101 GW 27 111	1	66	82	65	44	48	4
GW 27 102	2	132	85		48	110	8
GW 27 103	3	66	171		44	137	6
GW 27 104	6	132	171		110		10
GW 27 105	12	264	171		210	10	

27 COMBI RANGE