

### THREE TYPES OF CONDUIT:

RK15 conduit 3321 class for standard systems.

RKB conduit 4321 class for heavy duty systems.

RKHF conduit 4422 class for heavy duty systems and those in places open to the public.

# NEW RKHF HALOGEN-FREE RIGID CONDUIT

### NEW RANGE RKHF

The new RKHF conduits, made of halogen-free material in compliance with EN 50267-2-2, are ideal for installations in places open to the public and heavily trafficked areas.

Emissions from this material are less toxic and there is lower opacity of smoke in the event of fire.

RKHF conduits hold IMQ Certification in compliance with IEC EN 61386-1 and IEC EN 61386-21 Standards.

### HIGH QUALITY

RK15 and RKB range conduits are made of virgin PVC powder through a single transformation from raw material into finished product. This ensures the best mechanical characteristics, which result for example in low temperature bending.



### IMQ-CERTIFIED INSTALLATION SYSTEM

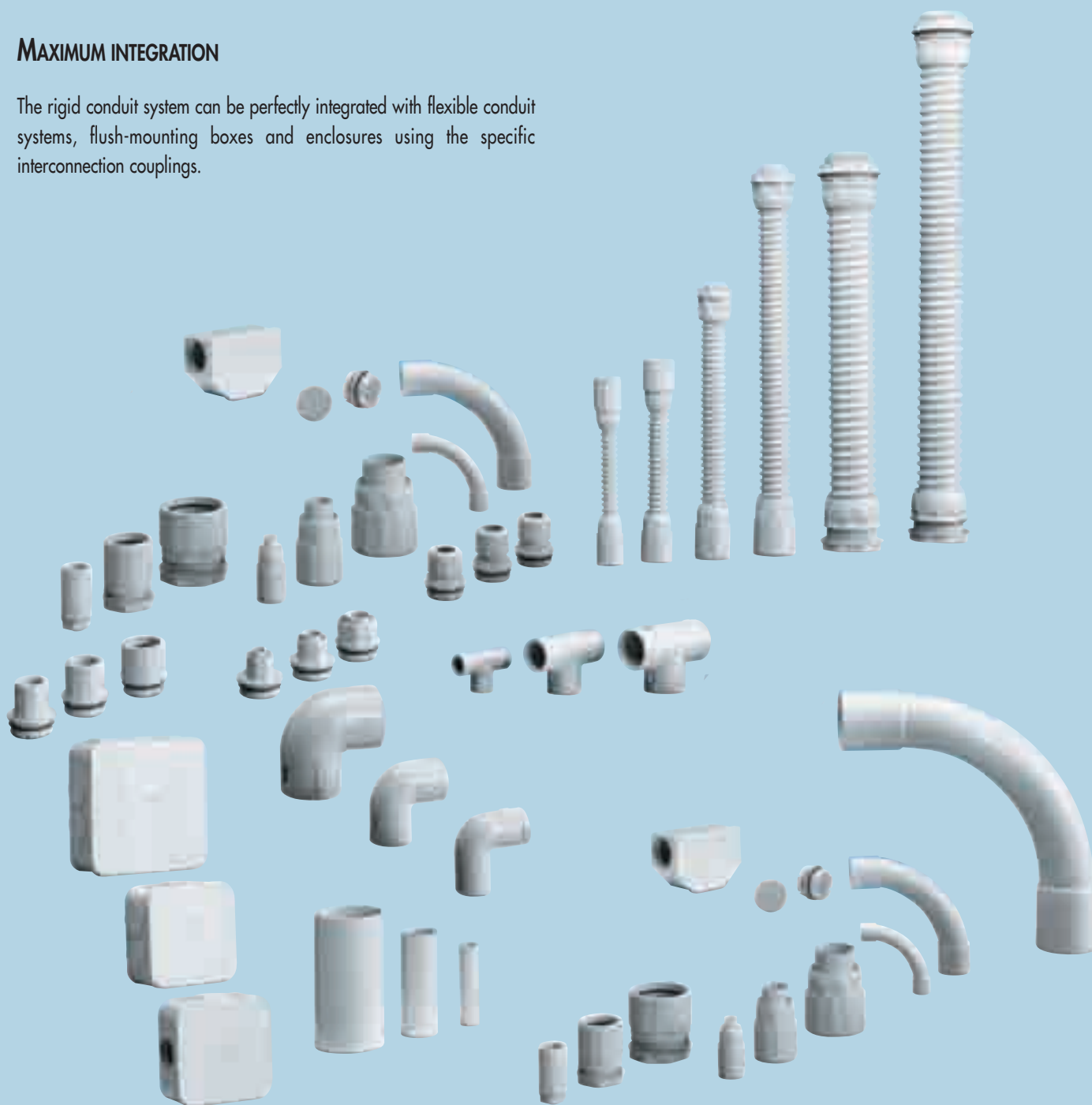
All conduits and routing components are IMQ certified in compliance with EN 50086-1(CEI 23-39) and EN 50086-2-1(CEI 23-54) Certifications and also comply with IEC EN 61386-1 and IEC EN 61386-21 Regulations.



## CHARACTERISTICS AND ADVANTAGES

### MAXIMUM INTEGRATION

The rigid conduit system can be perfectly integrated with flexible conduit systems, flush-mounting boxes and enclosures using the specific interconnection couplings.



RK RANGE

### ▲ HALOGEN-FREE SYSTEMS

GEWISS also offers a wide range of couplings, boxes and halogen free routing components which, when matched with the new RKHF range, ensure a fully halogen-free system.

### ▲ FOR ANY INSTALLATION REQUIREMENT

Wide range of couplings, joints and routing components to create complex, structured exposed systems.  
Two protection ratings available: IP40 and IP65.

### NEW RKHF HALOGEN FREE CONDUITS RKHF



◀ GEWISS, in compliance with the numerous EU regulations aimed at enhancing safety in public places in the event of fire, offers a new range of conduits and includes in this offer the halogen-free RKHF conduit

#### ◀ HALOGEN-FREE RANGE

GEWISS offers a full range of conduits (corresponding to the normal PVC conduit range), of IP 40 and IP 65 couplings and halogen-free junction boxes, allowing operators to choose one or the other depending on requirements.

#### ▲ ADVANTAGES OF HALOGEN-FREE MATERIALS

The advantage of halogen-free materials is that, in the event of a fire, the smoke released during combustion, besides showing a remarkably lower opacity (which is essential when trying to reach a way out), produces an appreciably lower quantity of toxic emissions than normal PVC conduits: in this way two of the major causes of death due to fire are eliminated at one single stroke.



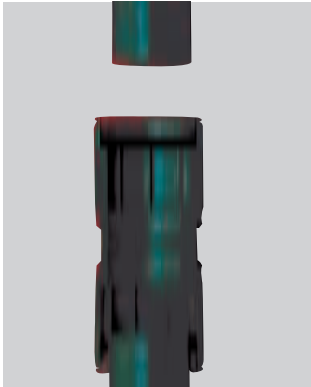
#### ▲ APPLICATION FIELDS

RKHF conduits are ideal for all installation environments where high safety standards are required: schools, cinemas, theatres, trains, undergrounds, etc.



**INSTALLING A HALOGEN-FREE SYSTEM TODAY MEANS HAVING A SYSTEM COMPLYING WITH EUROPEAN STANDARDS TOMORROW.**

### MORBIDX - QUICK COUPLING SYSTEM



▶ The MORBIDX® quick coupling system enables the creation of exposed installations with an IP 65 protection rating and considerably reduces installation time.

Designed to make the process of connecting and disconnecting the conduits easier. The perfect adhesion of the material the o-ring seal consists of ensures a tight grip of the conduit even in a vertical position.

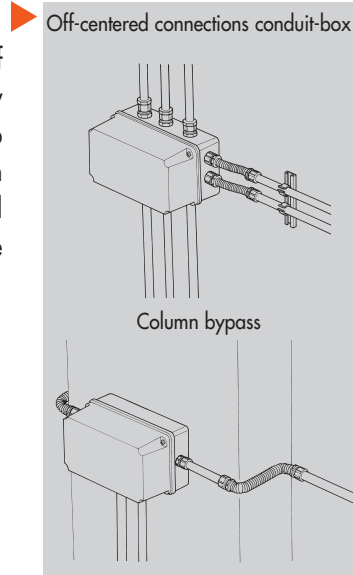
The seal, made from neoprene and positioned at the entry, ensures IP 65 protection rating even in case of thermal linear compensations or any sizing mistake made when cutting the conduit.

N.B. A sizing mistake during cutting and non-adherence to the central stop bead causes a vacuum inside the coupling which hinders the feeding through of cable pullers or cables. It is therefore advisable to insert the conduit up to the central stop bead of couplings and/or connections.

### FLEXIBLE COUPLINGS SPEEDY-FLEX

#### FLEXIBILITY OF INSTALLATION

The technical characteristics of Speedy-flex couplings allow changes in any direction: used to carry out a connection between rigid conduits when traditional couplings are not suitable for the installation.



#### HIGH PERFORMANCE

The spiral structure absorbs any dilation caused by temperature variations.

Ring nut fixing ensures required protection levels.

### JUNCTION BOXES TRIX AND QUADRIX



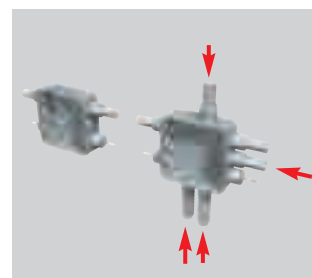
#### TRIX

The first box with three inputs.

Its particular shape and size make it the ideal solution for simple branching with outlets in garages, cellars, stores and warehouses. Also suitable as section divider.

#### VERSATILITY AND SPEED

The cover, which is easily pressed into place, can only be removed using the special tool. The installation is therefore easily inspected guaranteeing conformity to essential safety requirements. The press-on assembly system of all accessories on the boxes ensures a perfect seal due to an O-ring supplied with all connectors.



#### QUADRIX

By substituting the standard closing caps with the special joint couplings it is possible to enlarge the original installation for future adaptations, adding battery boxes quickly and easily.