

74 PS RANGE

PUSH-BUTTONS, SELECTORS AND INDICATORS Ø 22 MM



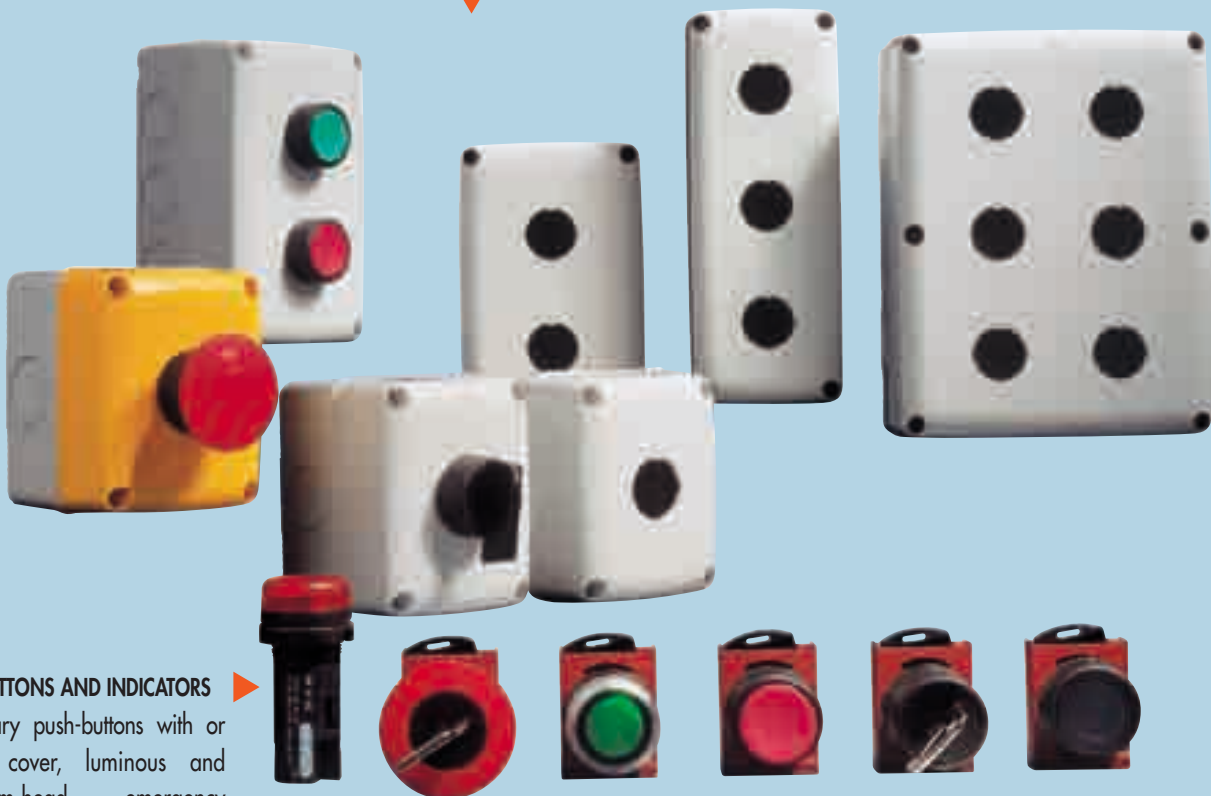
CHARACTERISTICS AND ADVANTAGES

A WIDE RANGE READY TO USE

The 74 PS range, being fully integrated with 46, 40 CDK, 44 CE, 42 TV, and 27 COMBI ranges provides solutions for the management of automated work processes and devices by means of zone boards or machine-integrated boards.

APPLICATION INTEGRATION CAPABILITY

The 74 PS range includes enclosures equipped with push-buttons, controls and Ø 22 mm indicators or empty enclosures with up to 12 gangs.



PUSH-BUTTONS AND INDICATORS

Momentary push-buttons with or without cover, luminous and mushroom-head emergency buttons, luminous indicators all directly fed.

APPLICATIONS



COMMERCIAL SECTOR

All 74 PS range components can be installed on the provided panels of the CDK distribution boards to produce zone boards for protection and warning



INDUSTRIAL SECTOR

PS 74 range push-buttons, selectors and indicators can be used to automate work stations thanks to the synergy with 44 CEP or 46 QP distribution boards.



DOMESTIC

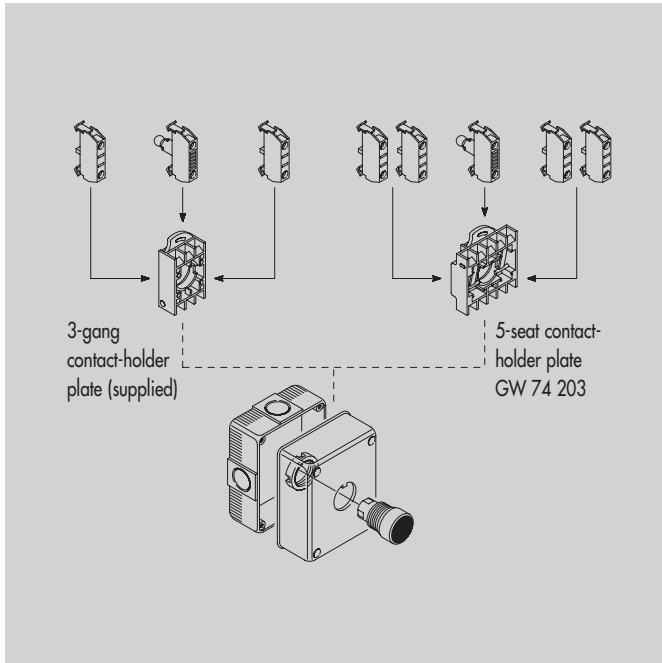
The 74 PS range, combined with the functionality of specific enclosures, allows the creation of control points in the residential sector.

74 PS RANGE

PUSH-BUTTONS, SELECTORS AND INDICATORS Ø 22 MM



CHARACTERISTICS AND ADVANTAGES



MODULARITY WITH COMBI 27 RANGE

The 74 PS range can be recombined horizontally, vertically or both ways for IP40 rating wall-mounting installations with the 27 COMBI, COMBI-DIN 40 and COMBI SYSTEM 40 ranges.

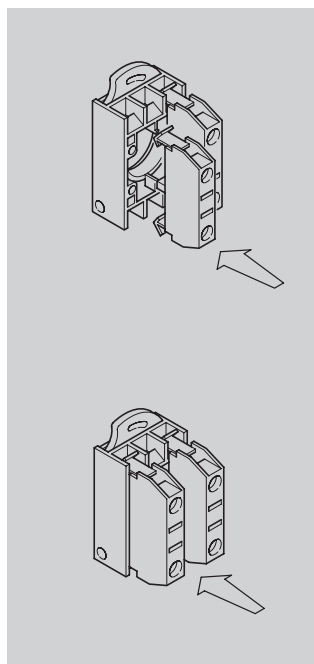


FLEXIBILITY OF INSTALLATION

Present in both types of plates and offering from 2 to 4 spaces for NA or NC contacts plus 1 space for the central connection of the BA9S lamp.

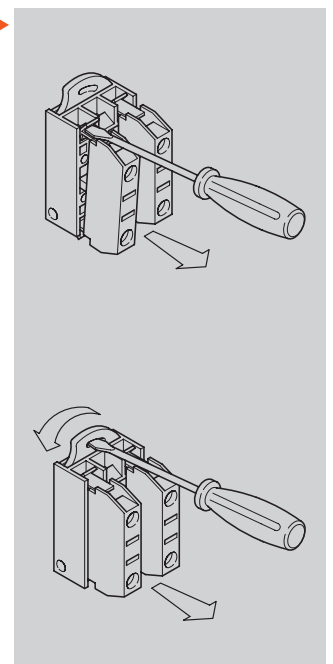
CONTACT ASSEMBLY

Each individual unit can be independently fixed or removed. This ensures, if necessary, the possibility to add, remove or substitute only the unit in question, leaving the others untouched.

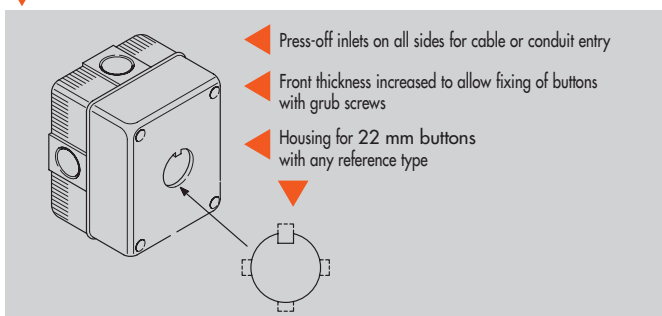


ASSEMBLY OF CONTACTS AND PLATE

All types of removal boxes (junctions and plates) can be done using a screwdriver without the need for specialist tools.



PUSH-BUTTON ENCLOSURES



CONTACT CHARACTERISTICS

NC contacts can be forced open even when lightly glued as per EN 60947-5-1 Standard.

74 PS RANGE