

42 RV RANGE

WATERTIGHT SURFACE AND FLUSH-MOUNTING EMERGENCY ENCLOSURES



CHARACTERISTICS AND ADVANTAGES

A COMPLETE RANGE

From the alarm signalling enclosure to that for emergency control, in order to eliminate all danger situations.

42 RV RANGE



▲ FLEXIBLE USE

Choice between enclosures equipped with push-button or fitted with a Ø22 hole, DIN rail or with back-mounting plate.

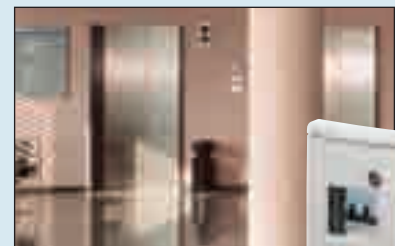
APPLICATION SOLUTIONS



COMMERCIAL SECTOR
Enclosures for emergency operations.



INDUSTRIAL SECTOR
The enclosures with a Ø 22 hole are used both in technical rooms or near large equipment for breaking circuits in case of emergency.



COMMERCIAL SECTOR
Enclosures with DIN rail, ideal for the installation of controllable devices in cases of emergency. (Lifts main switch).

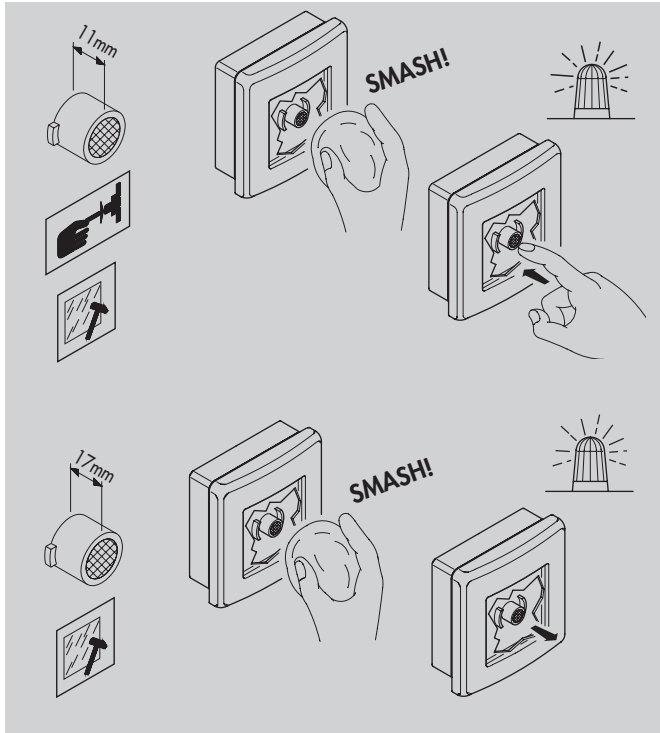
42 RV RANGE

WATERTIGHT SURFACE AND FLUSH-MOUNTING EMERGENCY ENCLOSURES



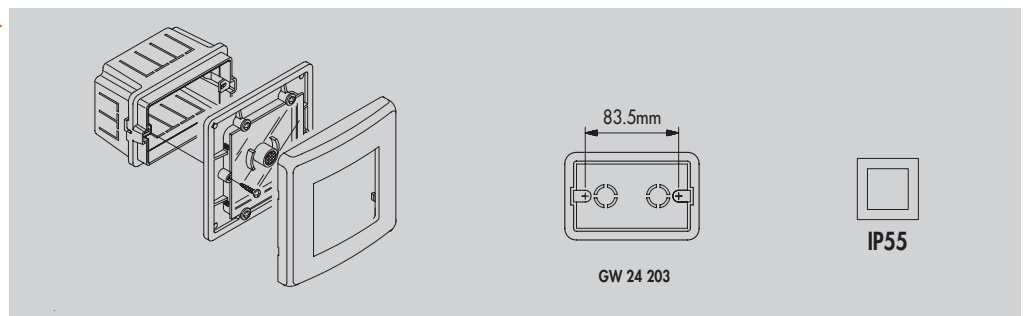
CHARACTERISTICS AND ADVANTAGES

ENCLOSURE GW 42 201 WITH BACK-LIT BUTTON

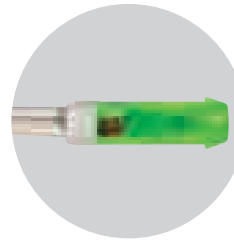


▲ GW 42 201 enclosure is supplied with two push-buttons: the first (short) one must be pressed after breaking the glass. The second (long) comes out once the glass has been broken. Such versatility allows the emergency operation to be performed correctly in any situation.

The enclosure is so versatile that it allows the quick installation of the front even on the flush-mounting box for electrical, while maintaining the IP55 rating.



NEW



▲ THE NEW VERSIONS OF GW 42 201 ARE EQUIPPED WITH:

- 12-24 V, 48V and 110-230 V dc/ac green LEDs. These LEDs show whether the emergency circuit is intact should a shunt trip release be used downstream.
- NA/NC contacts

GW 74 201 - GW 74 202



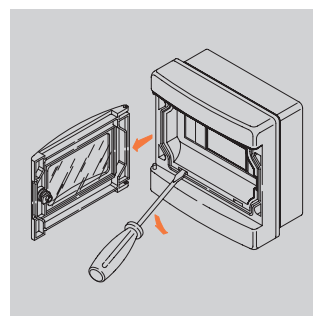
42 RV RANGE

ENCLOSURE FOR EMERGENCY OPERATIONS AND SPECIAL APPLICATIONS



◀ The enclosure is fitted for the installation of modular devices up to 125A.

◀ The safety lock supplied guarantees access to authorised personnel only.



◀ The separate removal of the front panel from the front plate allows quick maintenance operations.