

# 40 CDc RANGE

Active home system



40 CDc RANGE

### A COMPLETE RANGE OF FLUSH-MOUNTING CONSUMER UNITS

Designed to meet the countless number of needs in the residential commercial sectors from monitoring the electric system to aesthetic integration in the rooms made possible by its co-ordination with the plates in the GEWISS Domestic Range.



# 40 CDC RANGE

ACTIVE HOME SYSTEM



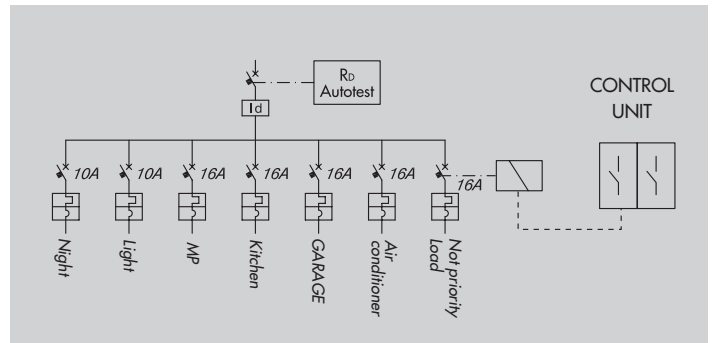
## CHARACTERISTICS AND ADVANTAGES

### CONTROL UNIT ACTIVO

LARGE HOMES OR APARTMENTS



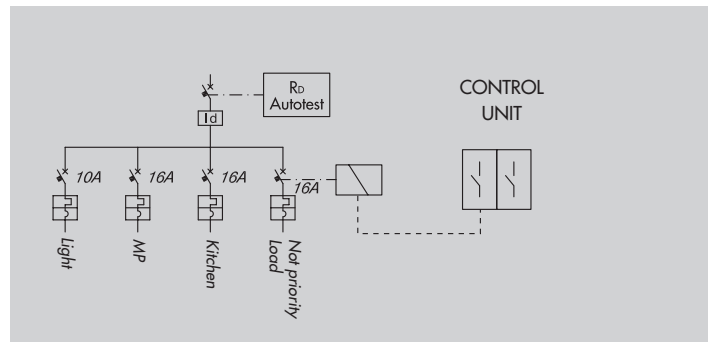
DIAGRAM A - GW 40 821, GW 40 831



MEDIUM SIZED OR SMALL APARTMENTS



DIAGRAM B - GW 40 801, GW 40 811

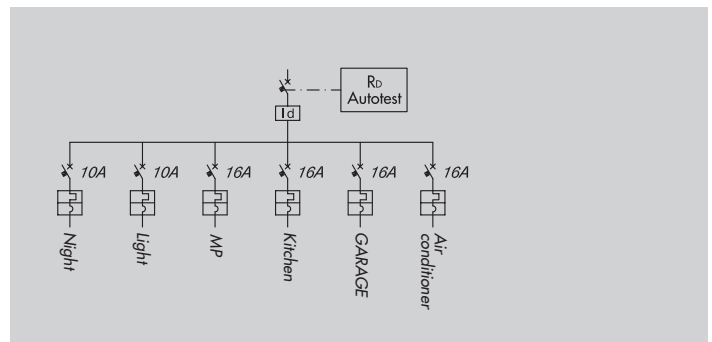


### SYMBOL CONSUMER UNIT

LARGE HOMES OR APARTMENTS



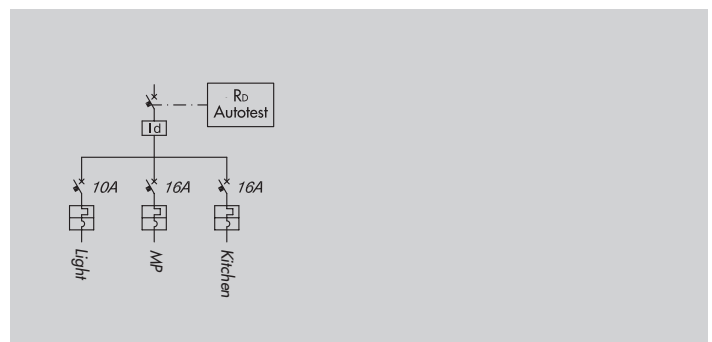
DIAGRAM C - GW 40 761, GW 40 771



MEDIUM SIZED OR SMALL APARTMENTS



DIAGRAM D - GW 40 741, GW 40 751



40 CDC RANGE

## GEWISS ACTIVO - CONTROL PANEL

RANGE: 12 E 24 MODULES



◀ A true integrated station for the safety and control of the residential system thanks to an electronic unit that constantly controls the operating status of the system.

**THE MAIN ACTIVE**

**Anti black-out function** in case of absorption greater than the programmed threshold, the smart control unit disconnects an MCB switch connected to a load considered non-priority.

**THE OTHER FUNCTIONS**

**Programmer:** commands of a load with daily programming.

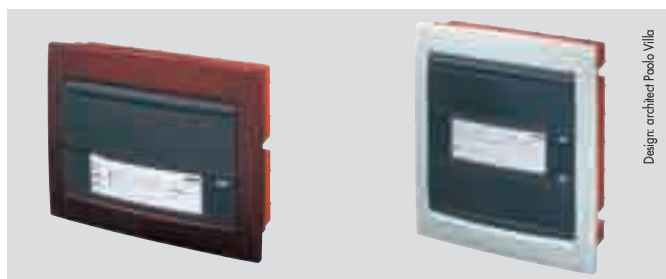
**Diagnosis and monitoring:** the display shows brief messages that identify any anomalies.

**Remote alarm:** with a telephone dialer it is possible to send several intervention signals at a distance.



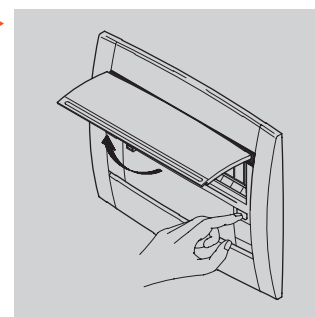
## COORDINATED SYMBOL ENCLOSURE

RANGE: 12 E 24 MODULES



▶ **AUTOMATIC OPENING DOOR WITH SMOOTH AND SILENT MOVEMENT**

◀ **CUSTOMISABLE SYMBOL FRONT FOR INDICATORS**



▶ **AESTHETIC CO-ORDINATION WITH THE GEWISS PLATES**

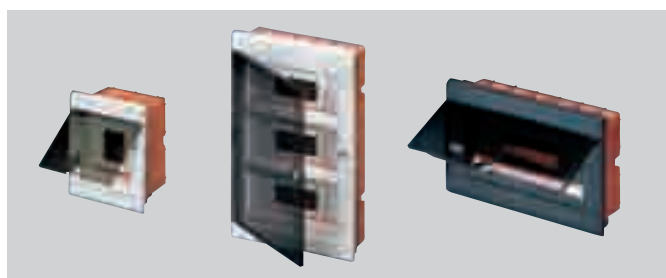
Co-ordinated with the plates in the three Domestic Ranges and available in 14 colours, the 40 CD consumer units become perfectly integrated in the furnishing Domestic Range.



**PLATES IN 14 COLOURS**

## DECORATIVE CONSUMER UNITS

RANGE: 4 - 8 - 12 - 24 - 36 MODULES



◀ **AESTHETIC AND COMPACTNESS**

- Less depth, which makes it possible to install it also on 10 cm. boarding
- Knockout walls with total removal, which make conduit entry easier.
- Removable frame.

**SMOKED TRANSPARENT DOOR**

## GEWISS ACTIVO - CONTROL PANEL

### RANGE: 12 - 24 MODULES

A true control unit for the electrical system, which simply and intuitively keeps the main system operating parameters under control, consumption, any earthing current or voltage jumps, and allows setting maximum consumption so as to "disconnect" non-priority devices in the case of overload.

Just think of how many times the main switch trips at home because we simultaneously connect too many appliances! GEWISS SMART CONSUMER UNITS notify us the overload with a buzzer and disconnect the appliance that we have defined as non-priority

Available in two 12 and 24 module versions and in the colours of cloud white and metallic titanium, the smart consumer units feature a design suitable to qualifying the system as an element that is technologically advanced, aesthetically pleasing and perfectly integratable with the products of GEWISS domestic range: a technologically advanced element, attractive and perfectly matchable with the products in the GEWISS Domestic Range.



Design: architect Paolo Villa

### FUNCTIONS OF GEWISS ACTIVO

- Signals failure of the distribution board to deliver energy
- Signals the intervention of differential current circuit breakers
- Signals the intervention of circuit breakers
- Voltage anomalies
- Exceeding the program power
- Execution of differential tests
- Allows visualizing various system parameters
- LCD display with horizontal scrolling of messages

**BUILT-IN CONTROL UNIT**

Monitoring system, input power, and earthing current

Managing non-priority loads

- Programming users (ex. house lights or irrigation)
- Guide to resetting the system in case the protections trip

Telephone dialling operation in case of anomaly

- Automatic opening door with smooth and silent movement

40 CDC RANGE

## COORDINATED SYMBOL ENCLOSURE



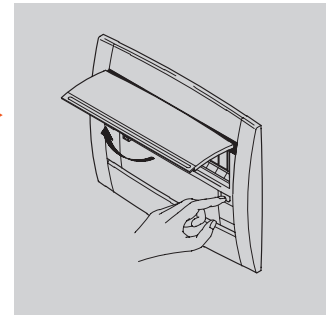
SIGNAL ENCLOSURE WITH 24 WHITE CLOUD MODULES

### INTEGRATED PROTECTION AND INDICATIONS

GEWISS symbol enclosures are a point of reference for system protection and personal safety. Besides the compartments for housing the EN 50022 modular protection devices, they have a large area with a transparent front panel for safety indications, maps with exit routes, extinguisher locations, emergency/utility numbers etc. Available in the 14 GEWISS colours, they perfectly match all the plates in the domestic range.

### PRACTICALITY AND COMFORT

A carefully designed door discretely covers the modular devices installed in the control unit. When a dedicated button is pressed, the door opens with a gradual, silent movement, allowing you to interact with the devices inside.



### SYMBOL ENCLOSURES - AESTHETIC CO-ORDINATION WITH THE PLAYBUS/ SYSTEM / ECO60 RANGE PLATES



### RESIDENTIAL APPLICATIONS

 <b>Emergency aid</b> <b>113</b>	 <b>First aid</b> <b>118</b>	 <b>GAS</b> Tel ..... Last heating system overhaul...../.../.....
 <b>Fire Brigade</b> <b>115</b>	 <b>Electricity</b> Tel ..... User no. <input type="text"/> .....	 <b>Installer</b> Tel ..... <input type="text"/>

### COMMERCIAL APPLICATIONS

<ul style="list-style-type: none"> <li> : EMERGENCY STAIRS</li> <li> : HORIZONTAL OUTPUT PATH</li> <li> : EMERGENCY EXIT</li> <li> : ALARM BUTTON</li> <li> : PORTABLE HALON FIRE EXTINGUISHER: (KG 6)</li> <li> : SURFACE MOUNTED FLEXIBLE HOSE WITH NOZZLE</li> </ul>	
---	--

40 CDC RANGE