

# 24 SC RANGE

Flush and surface mounting  
boxes for domestic ranges



# 24 SC RANGE

FLUSH AND SURFACE MOUNTING BOXES FOR DOMESTIC RANGES



## CHARACTERISTICS AND ADVANTAGES

### SPACE INSIDE INCREASED BY 20% ON ALL FOUR SIDES

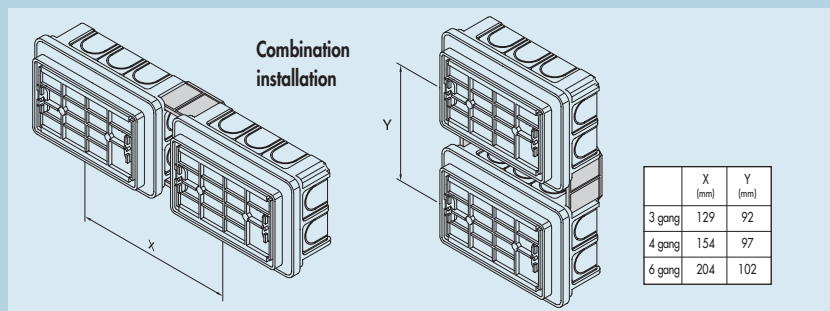
To make installation easier, especially in the case of complex wiring or system reconfiguration at a later date.



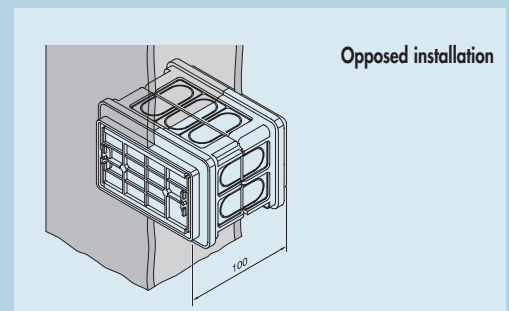
#### ◀ MORTAR GUARD LID INTEGRAL WITH THE FRAME

Even on 4 and 6 gang boxes, ready to use for total protection during building and finishing work.

### APPLICATION ADVANTAGES



▲ It allows several light spots to be placed side-by-side, the system circuits to be divided and pre-arrangement for future expansion.



▲ It allows the light spots to be perfectly aligned in adjacent rooms

24 SC RANGE

# 24 SC RANGE

FLUSH AND SURFACE MOUNTING BOXES FOR DOMESTIC RANGES



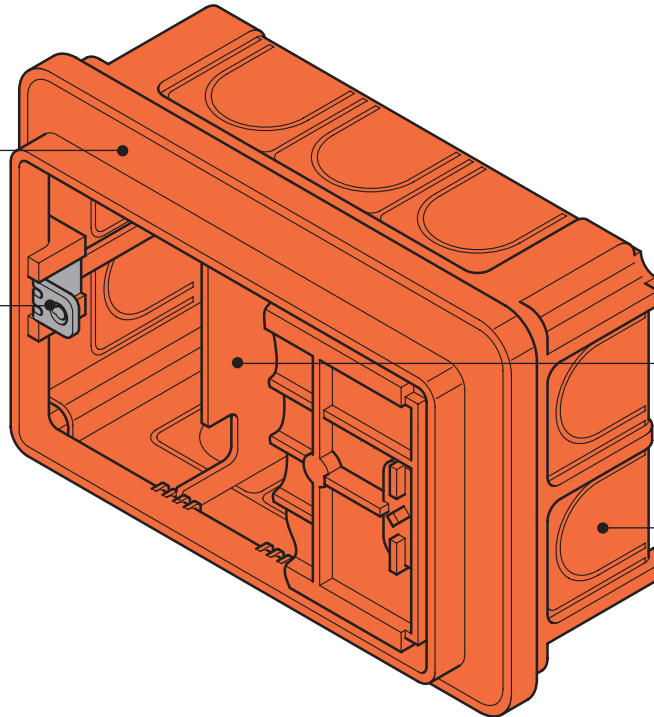
## CHARACTERISTICS AND ADVANTAGES

### INSTALLATION AND FUNCTIONAL ADVANTAGES

**HIGH MECHANICAL STRENGTH**  
+ 100% crushing resistance on the long sides.

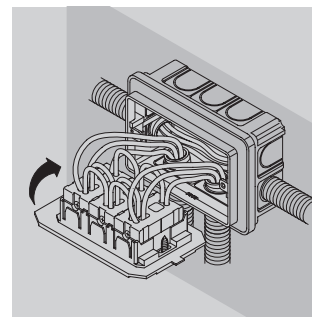
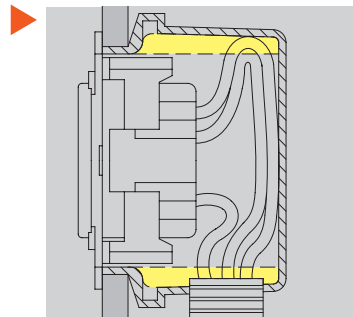
**POSSIBILITY OF MAKING AN INTERNAL CIRCUIT DIVISION** using the special tool GW 24 321

**NEW TYPE OF THREAD INSERT** with beading: + 30% traction and compression resistance.



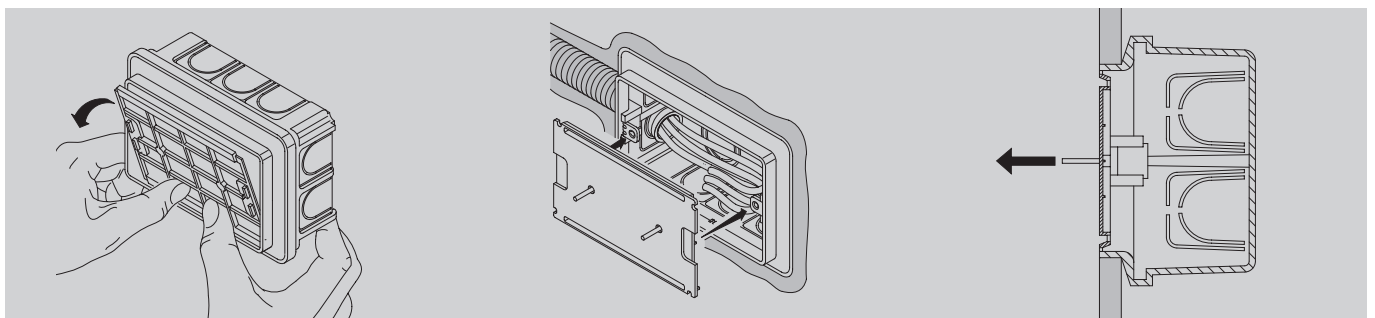
**ENTRY FOR CONDUITS Ø 20 AND 25 MM** on all sides and on the bottom.

Greater cable containment capacity.



Easy to apply the frame on the box after wiring is made.

#### MORTAR GUARD



Can be removed when the job is done without breaking the plaster.

Can simply be snapped back on.

Easy to remove.