

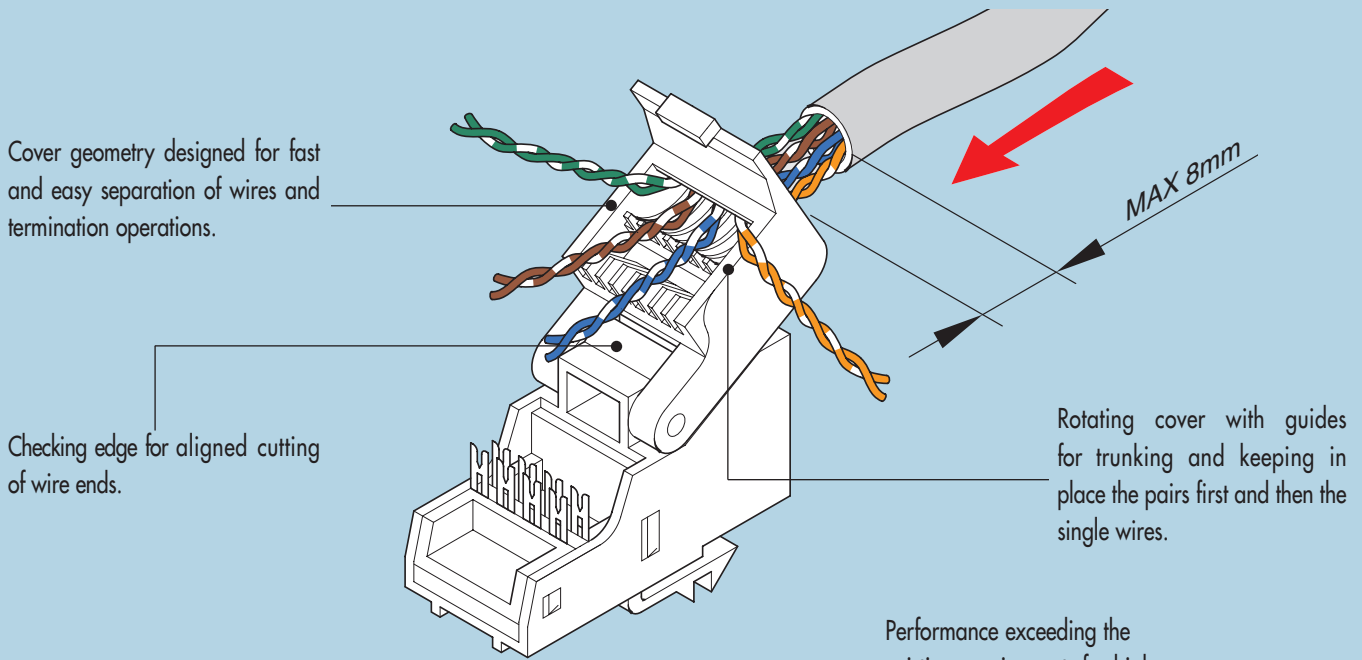
RANGE 38 LAN

Structured wiring



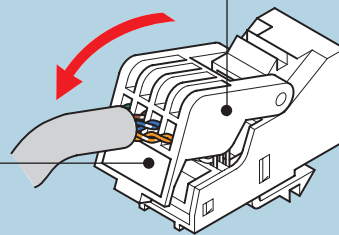
RJ45 "FAST" TYPE CONNECTORS FOR USER SOCKETS

The connector is designed to allow the wiring of pairs in a sequential and orderly way, with reference to the colour code, without requiring crossing of wires or reducing the uncoupling length of pairs.



Facilitates checking of perforation thanks to the transparent material of the cover.

Snap locking.



Performance exceeding the existing requirements for high speed applications and being proposed:

- Gigabit Ethernet
- Broadband video,
- 622 Mbps and 1.2 Gbps ATM
- Internet/Intranet
- Digital and analog
- Multimedia

Available in versions **UTP** and **FTP** cat. 3, cat.5e, cat.6

Suitable for cables with solid wire with dimensions **from 22 to 24 AWG.**

WIRING EIA T568A / EIA T568B

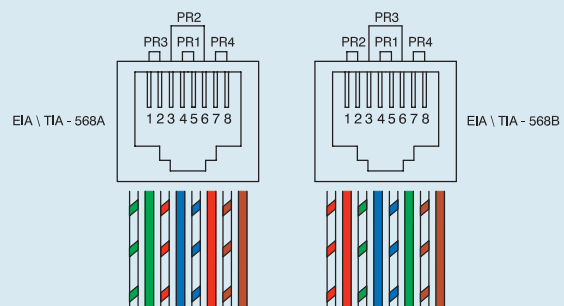
Colour codes

The single pairs of copper cable, numbered from 1 to 4, are identified by the following colours:

- pair 1 >> white/blue - blue
- pair 2 >> white/orange - orange
- pair 3 >> white/green - green
- pair 4 >> white/brown - brown

The standard allows two possible numberings of the pairs, i.e. T568A and T568B that differ in the inversion of pairs 2 and 3.

It is important to use the same methodology and therefore the same codes in a homogeneous way throughout the system.



Arrangement of pairs on front pins of the socket, in the two types of wiring.

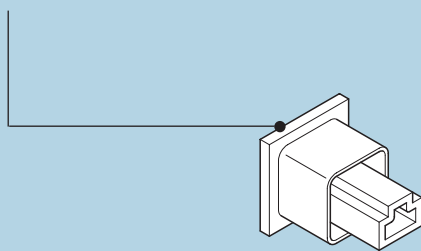
38 LAN RANGE

MT-RJ OPTICAL FIBRE CONNECTORS

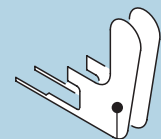
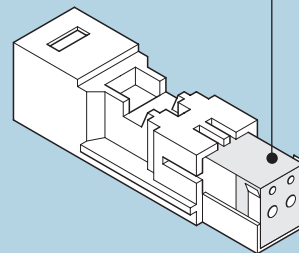
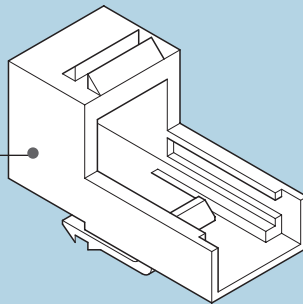
The MT-RJ 38 LAN Range jacks are connectors with two fibres that do not require glue, lapping and crimping tools. Designed for enabling fast and high quality connection in little space, they drastically reduce costs for each door, enabling a double density on the panels.

The MT-RJ jacks are also designed to be compatible with the plates already used for the RJ45 connectors to which they refer for their similar function.

Dustproof cover



Quick wire termination device, without requiring glue, lapping and tools for crimping.

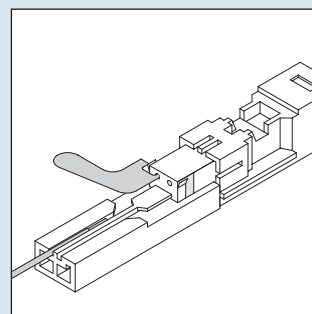
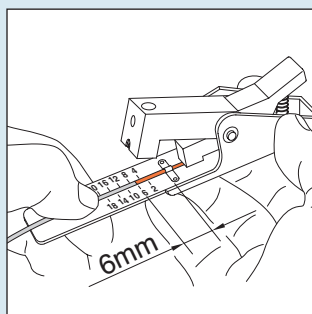
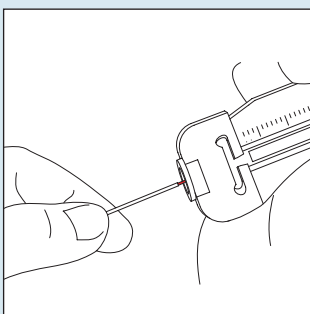


Enclosure installable on standard panels for RJ45 and reusable in case of modifications.

Coupling pins

38 LAN RANGE

INSTALLATION TYPOLOGIES



Simplified cable termination summarized in 3 phases:

- removal of coverings
- cutting of fibres
- turning of the special coupling keys

SOHO 10" (SMALL OFFICE - HOME OFFICE) BOARD

Reversible door with quick coupling hinges for right or left fitting.



Cable gland flange in plastic material on top and bottom panel.



Universal lock replaceable with security key lock.

Possibility of depth adjustment of the uprights, in order to house even particularly protruding products.

Closed back with holes for wall-mounting.

Toughened glass window.

Possibility of fixing rubber feet for placing on desk or floor.

Removable side panels facilitating wiring and maintenance operations.

Ventilation grill.



19" SURFACE-MOUNTING BOARDS

Modern and innovative design executed in two versions: fixed and rotating, with reversible door in smoke grey curved toughened glass offering greater impact resistance and more space inside for transposition.

Additional perforated reinforcement profiles for installing DIN rails, back-mounting plates, etc. (rotating version only).

Facilitated upper and lower cable entry, thanks to the easy to perforate cable gland plates in plastic material.

Bottom closed in sheet for total protection of devices (for fixed and rotating version).

Rotating section opening from front, allowing maximum accessibility to compartments (rotating version only).

Natural ventilation thanks to the side vent holes.

Depth adjustment (pitch 25 mm) of perforated uprights, according to the dimensions of the equipment installed and the connections on the front (e.g. optical fibres). The uprights are already factory-positioned.



GW 47 193

▲ Easy floor connection of the panels and internal components thanks to the possibility of fitting a copper bar as equipotential node.

Easy wiring thanks to the ample space volumes inside and the side space. Optimum arrangement of cords/cables thanks to the cable gland shots obtained in the two perforated uprights.



19" FLOOR-MOUNTING BOXES

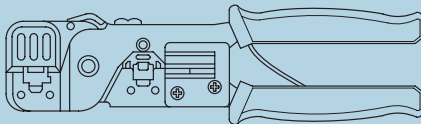


COMPLEMENTARY INSTALLATION ITEMS

COPPER WIRING KIT - CODE GW 38 052



Multipurpose crimping tool



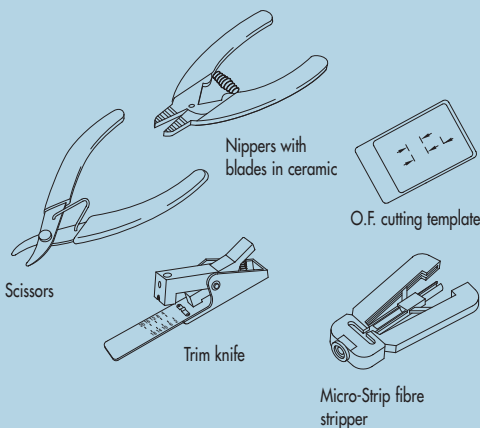
◀ REMOTE TESTER FOR CABLES

- Check of cables before and after installation in just 2 seconds
 - screening/earth connection
 - open circuit/short circuit
 - cable continuity
 - no termination
 - inversions/wrong connections
 - Ethernet termination 10Base 2/5 CatV, Cable Modem
- It clearly indicates the results of the test by means of LEDs
- Easy to use thanks to the remote module (removable)
- It can test the most widely used types of cables with connectors RJ45, RJ11, USB, BNC

KIT COMPOSITION

- | | |
|----------------------------|---|
| 1 Remote tester for cables | 1 Multipurpose crimping tool |
| 1 Cable end tool | 2 Blades for cable end cutting (110/66) |
| 2 Wire stripping tools | 30 Plugs RJ45 - 30 Plugs RJ11 |
| 24 Colours covers for RJ45 | |

OPTICAL FIBRE KIT - CODE GW 38 053



◀ KIT SUITABLE FOR INSTALLATION OF USER SOCKET AND MT-RJ CONNECTOR

KIT COMPOSITION

- 1 Pair of scissors for cutting Kevlar™ (fibre stripper)
- 1 Nippers with blades in ceramic
- 1 Template for cutting fibre to size
- 1 Micro-Strip fibre stripper
- 1 Cutter for precision cutting