

ECO 60 RANGE

International domestic range

ECO 60 RANGE



ECO 60 RANGE

INTERNATIONAL DOMESTIC RANGE

GEWISS

CHARACTERISTICS AND ADVANTAGES

THE INTERNATIONAL RANGE

For round and square boxes, characterised by an original design ideal for special architectural, restoration or renovation projects.



FREEDOM OF CHOICE

14 plate colours with white or black components. 28 combinations to get the right furnishing solution in residential and commercial buildings.



PERFORMANCE

10AX version: 10A nominal current for fluorescent loads, too (to EN 60 669 and IEC 669-1 standards)



PLAYBUS YOUNG



Eco60



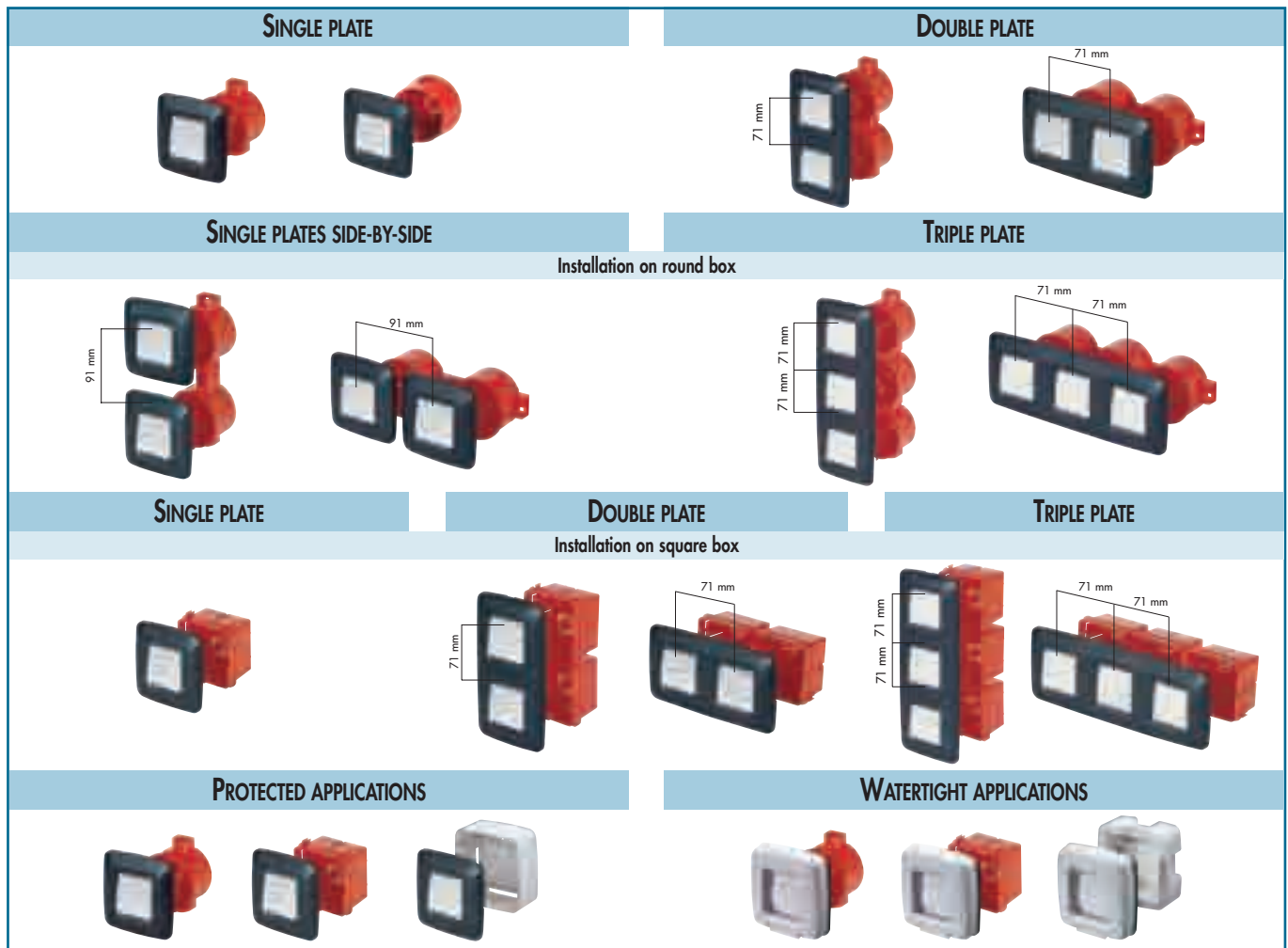
SINERGY Eco60 and PLAYBUS

Thanks to coordination with the playbus young range, Eco60 can be perfectly integrated with GEWISS domotica.

THE COLOURS



APPLICATION FLEXIBILITY



ECO 60 RANGE

THE ECO60 SOLUTION

Side hooks making combinations with components easier in applications with twin plates.

Fixing system designed to permit the utmost flexibility for installations on round boxes Ø 60 mm and square boxes with a fixing centre distance of 60 mm.

Housing for backlighting lamp.



Twin screw terminals with protection collars, suited to rigid and flexible conductors.

Ergonomic button

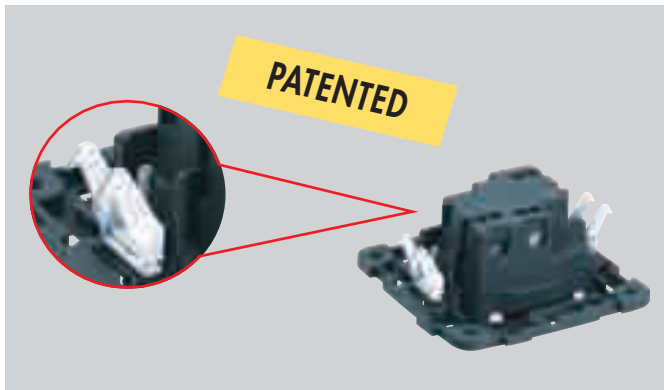


Modular flush-mounting box

Finishing plate, snap fit and removable without accessing live parts; reversible.

Integrated support in insulation material with expanding jaws supplied and with holes on each side, with large slot to adjust the position and holes for fitting on panels or with anchor plugs.

INTERNATIONAL STANDARD AND SOCKET-OUTLETS

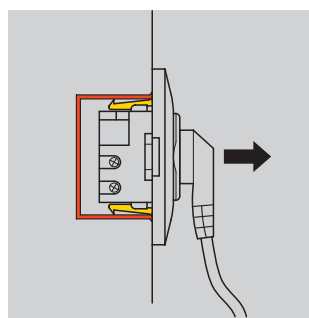
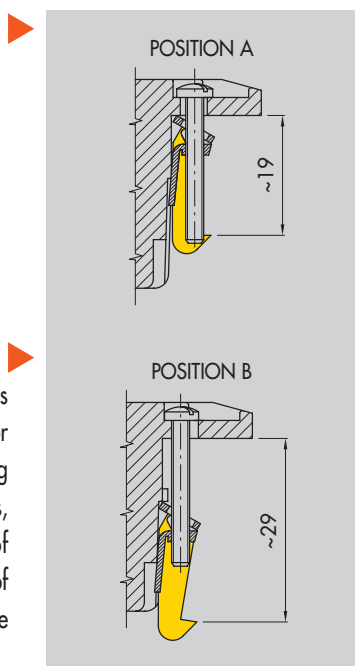


THE EXCLUSIVE ECO60 FIXING SYSTEM

ECO60 power socket-outlets are provided with an innovative jaw system designed to ensure absolutely stable fixing in all installation and application conditions.

FLEXIBLE SYSTEM

A special threaded element permits optimum positioning of the jaws in any application condition, thanks to the pattern and distribution of the constant forces and to two possible work positions.



RESISTANCE

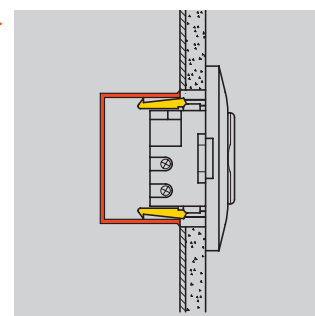
Maximum hold of the power socket-outlets, which more than other devices are subjected to external stresses such as plug extraction force and movements of the cable.

SPEED

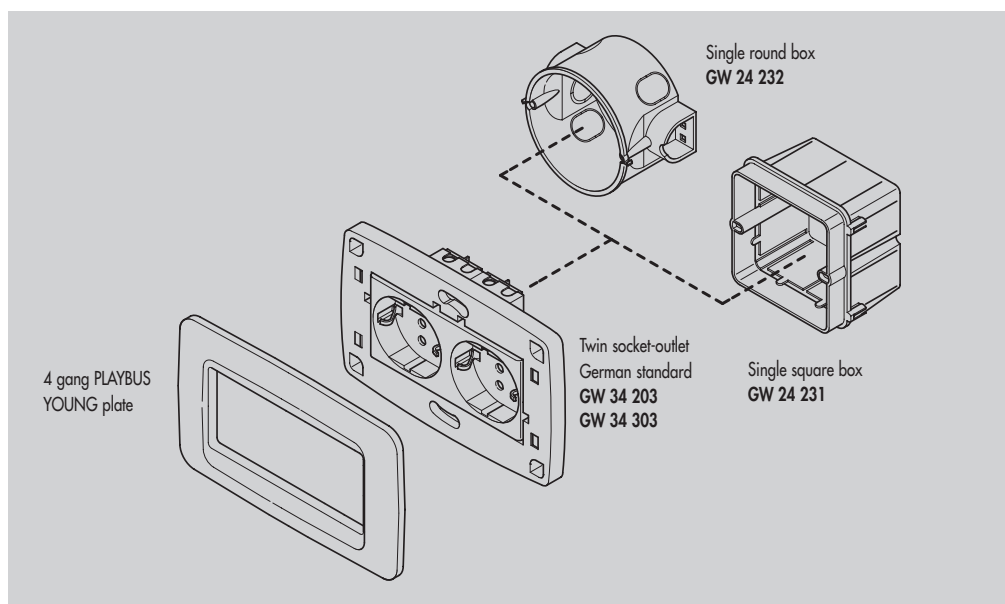
This system is universal and does not require jaw replacement or managing accessories depending on the installation requirements, thus following a reduction of installation time and a reduction of the number of codes to be managed.

ADAPTABILITY

Optimum installation on both flush-mounting boxes with wall wire and boxes deeply positioned. Utmost flexibility and adaptability when there are ceramics, slabs of marble, panelling and considerably thick finishes.



QUICK WIRING MULTIPLE SOCKET-OUTLETS



SPEED

Standard German double outlet with installation on a single box and only 3 terminals.