

27 COMBI RANGE

Surface-mounting enclosures
and modular components



CHARACTERISTICS AND ADVANTAGES

THE MOST COMPLETE AND VERSATILE SYSTEM OF SELF-SUPPORTING ENCLOSURES, OFFERING UP TO A MILLION POSSIBLE COMBINATIONS:

- 20 surface-mounting enclosures IP 40 / IP 55 (up to 16 modules configuration)
- 2 watertight garden versions, for fixing on post
- 8 enclosures for interfacing with mini trunking and trunking
- 36 complete devices
- 3 enclosures for combined installation of devices with DIN module and SYSTEM devices.

Watertight flange for Q-DIN, PTC junction boxes, 66/67 IB, Q-DIN and Q-BOX range flanged covers.

27 COMBI RANGE

COMBI SYSTEM IP40

CHARACTERISTICS

Protected enclosures for SYSTEM devices:

- Standard modules 1-2-3-4 gang
- Horizontal multiple modules up to 16 gang
- Multiple vertical modules up to 12 gang

Complete devices. Protected enclosures with self-supporting adaptor for mini trunking up to 8 gang.



PERFORMANCE

Ample useful space inside for wiring. Development of a complete range of 4 module multiple movable enclosures. Possibility of internal circuit separation. Flexible applications.

27 COMBI RANGE

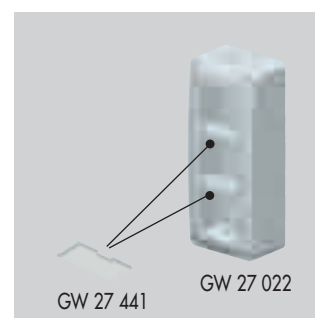
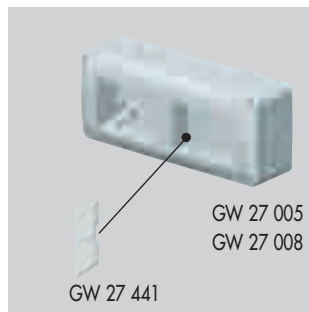
SURFACE-MOUNTING ENCLOSURES AND MODULAR COMPONENTS



CHARACTERISTICS AND ADVANTAGES

SEPARATION OF CIRCUITS

In multiple COMBI SYSTEM enclosures the internal compartments can be divided using special functional elements.



27 COMBI RANGE

INSTALLATION SOLUTIONS



Switches, data transmission connectors and power sockets with COMBI 12 module enclosure.

Protected exposed systems. Control, power and signal distribution, indication.

Residual current circuit breaker, indicator light, dual and Italian/German standard power sockets with COMBI 8 module enclosure.



COMBI SYSTEM IP55

CHARACTERISTICS

Watertight enclosures for SYSTEM devices:

- Standard modules 1-2-3-4 gang.
- Vertical multiple modules up to 12 gang.

Watertight garden enclosures:

- Versions for fitting on top of post and arm.

Complete devices for:

- Command
- Acoustic and luminous signalling.
- Energy saving.
- Power distribution.



PERFORMANCE

Increased useful space inside for wiring. Possibility of internal circuit separation. Door with transparent diaphragm and opening button. Flexible applications.

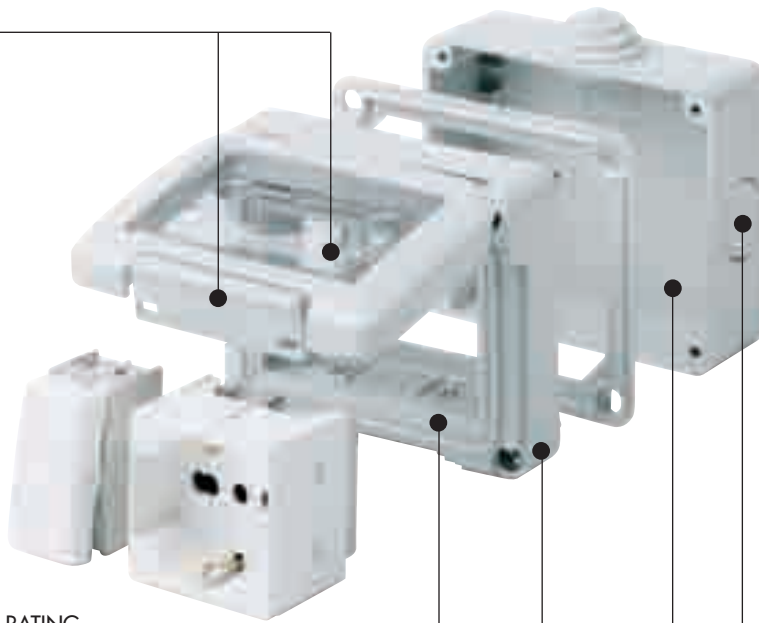
27 COMBI RANGE

SURFACE-MOUNTING ENCLOSURES AND MODULAR COMPONENTS



CHARACTERISTICS AND ADVANTAGES

ERGONOMY



IP 55 PROTECTION RATING

PRACTICAL FIXING OF FRONT COVER

USEFUL INTERNAL SPACE INCREASED BY 20%

KNOCKOUTS Ø 23 mm ON ALL SIDES AND BOTTOM

ERGONOMY

Transparent membrane with hollows facilitating the identification of keys by touch. Snap door closing, by pressing upwards. Place for user identification stickers.

QUICK INSTALLATION

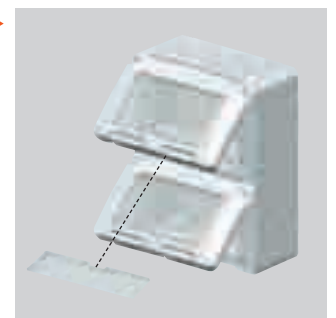
Thanks to the special friction elements, the seal remains attached to the cover. The top two screws are accessible even with door closed.

PERFECTLY WATERTIGHT

Watertight, thanks to the door closing system and the seal couplings.

SEPARATION OF CIRCUITS

In multiple COMBI SYSTEM enclosures the internal compartments can be divided using special functional elements.



INSTALLATION SOLUTIONS



WATERTIGHT EXPOSED SYSTEMS

Control, power distribution, signalling.

GARDEN APPLICATIONS

Installation on post for power drawing and control.



COMBI DIN

CHARACTERISTICS

Multipurpose watertight and protected enclosures:

- Compartment with transparent door for modular devices with EN 50022 rail.
- Compartment for SYSTEM devices.

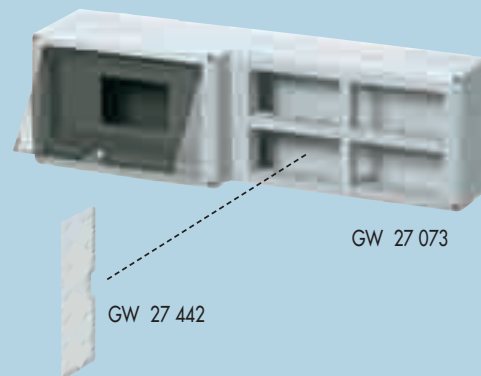
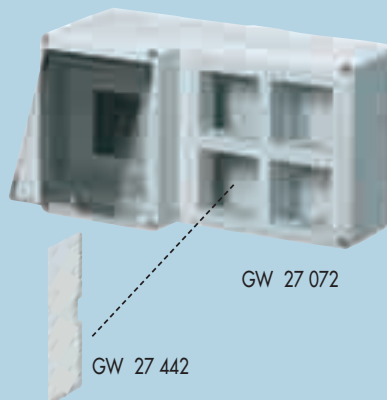


PERFORMANCE

They enable the execution of combined units with:

- protection devices
 - power drawing points
 - signal sockets
 - control and signalling devices
- Possibility of internal circuit separation.

SEPARATION OF CIRCUITS



INSTALLATION SOLUTIONS

Combined applications: protection, power distribution, signal distribution.

Protected terminal points with possibility of separating the circuits.



27 COMBI RANGE

SURFACE-MOUNTING ENCLOSURES AND MODULAR COMPONENTS



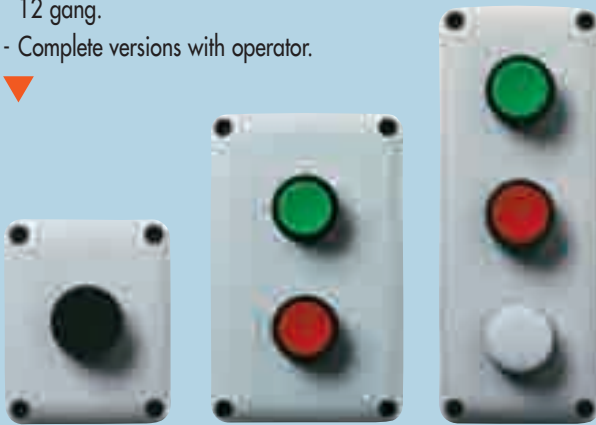
CHARACTERISTICS AND ADVANTAGES

COMBI 22

CHARACTERISTICS

Enclosures for push-buttons, controls and indicators Ø22 mm

- Range of empty enclosures up to 12 gang.
- Complete versions with operator.



PERFORMANCE

- Compatibility with all push-buttons (Ø22) available on the market.
- Reinforced front for fixing operators and indicators.
- Modular and aesthetic compatibility with the 27COMBI Range enclosures.

INDUSTRIAL APPLICATIONS


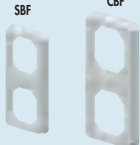





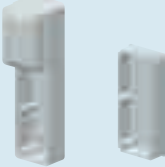



Motor control, lights control, signalling, emergency stop, etc.



27 COMBI RANGE

COMBI-IN - FLUSH-MOUNTING FLANGED COMPONENTS

INSTALLATION BOARD WATERTIGHT COVER

		Flanged covers	Wall-mounting	Flush-mounting	Installation on Q-DIN boards	Installation on combined unit
 GW 27 401	With adaptors	SBF CBF  For installation on system of interlocked sockets, modular bases and accessories IP 55 and on Q-DIN	 On modular base On back-mounting box	 On flush-mounting box	 On Q-DIN	 Inside Q-BOX
		 For installation on system of modular bases and accessories IP 66	 On modular base On back-mounting box	—	—	 Inside Q-MC
	Direct	—	—	 On front of combined distribution board of the 48 PTC range (see EUROBOX catalogue, page XX)	 On Q-DIN distribution boards	—

For board application with integrated system sockets and flanges 66/67 Range, see EUROBLOC catalogue.